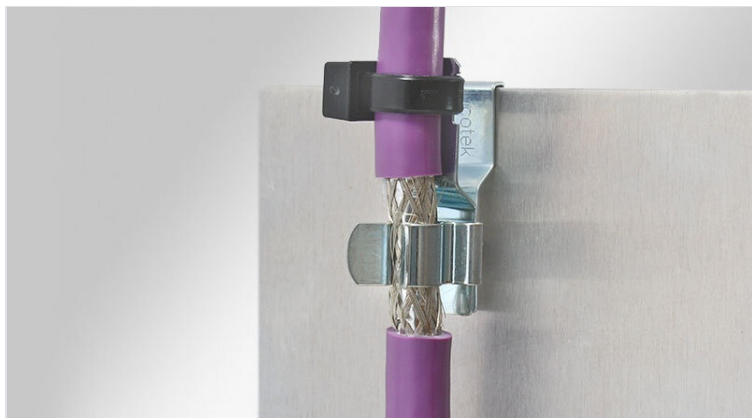


EMC shield clamps for metal sheet edges, pluggable

with or without integrated strain relief



EMC shield clamps are used, where the shield of cables must be connected to the earth potential. They are easy to use and effective in earthing single cable shields.

When using types with integrated strain relief cables can be fixed via the cable jacket using cable ties. Thus strain relief in accordance with EN 62444 is achieved.

Due to its special design the clamping ranges of the MSKL are very large while the dimensions are comparatively small. (Example: MSKL 3-12, assembled with a 12 mm cable shield: width 26.25 mm).

These shield clamps are used where a screw connection is either not possible or wanted. The shield is simply plugged on the metal sheet edge. The claws provide a secure grip, even in case of vibrations.



RoHS
compliant



Made in
Germany



Specifications

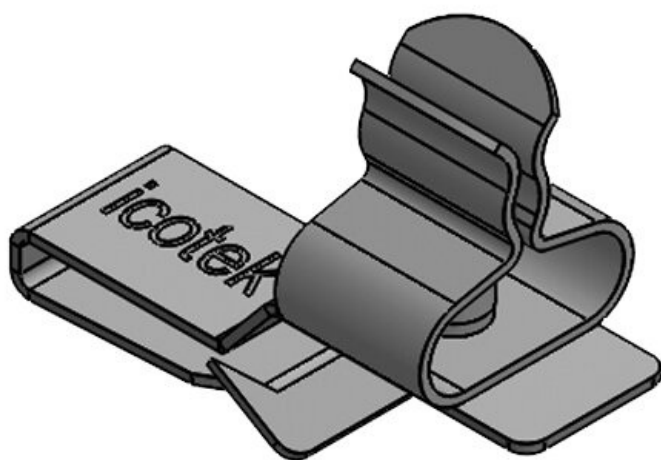
Material	Shield clamp: Spring steel, zinc plated Mounting foot: Spring steel
Properties	vibration proof
Mounting options	Clamping

Advantages & benefits

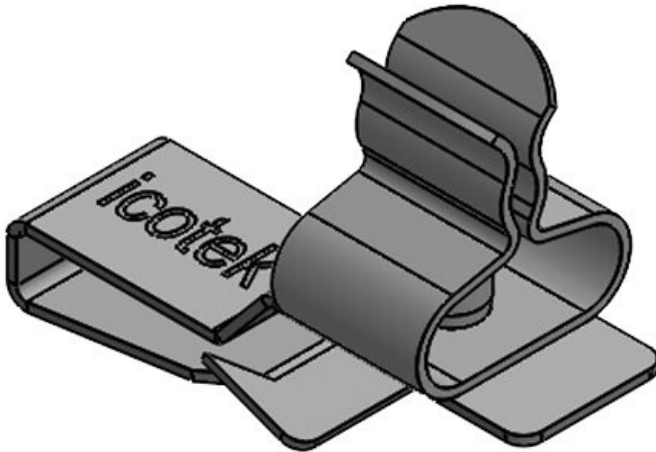
- Partially with integrated strain relief
- Large contact area
- Shield contact and strain relief separated
- Quick assembly without tools
- The spring design requires no adjustments and will permanently maintain contact to the cable shield
- Designed for high density applications
- Shock and vibration resistant, maintenance free

Product types & sizes

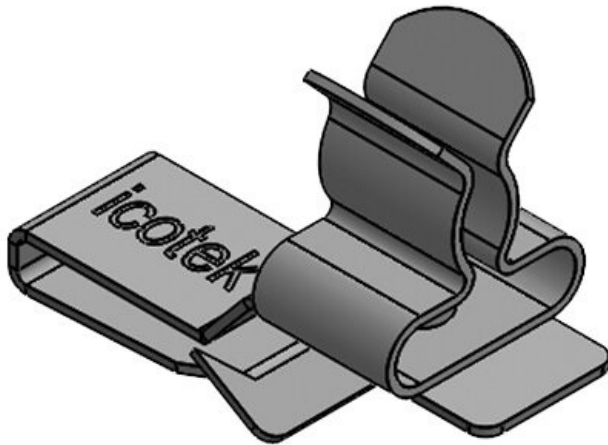
PFK-A|SKL 1.5-3



Part No.	36778.1	Length	28,5 mm
EAN	4251269303	Width	12 mm
	227	Height	19,4 mm
Package quantity	10	For min. wall thickness	1,5 mm
No. of shield clamps	1	For max. wall thickness	2 mm
For max. no. of cables			
Min. shield diam.	1,5 mm		
Max. shield diam.	3 mm		



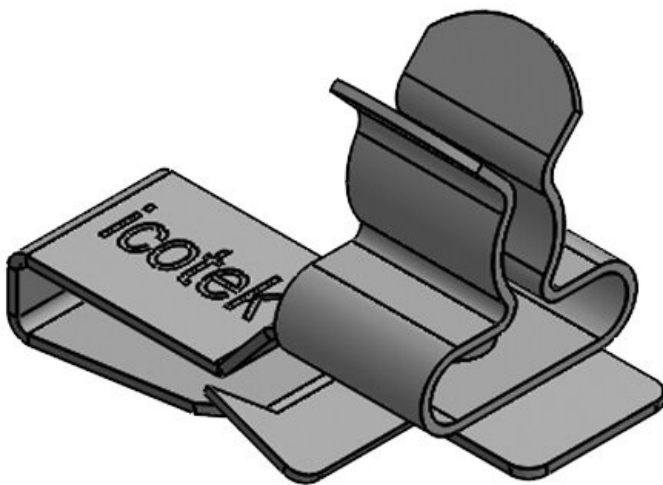
Part No.	36782.1	Length	28,5 mm
EAN	4251269303	Width	12 mm
	760	Height	20,4 mm
Package quantity	10	For min. wall thickness	2 mm
No. of shield clamps	1	For max. wall thickness	3 mm
For max. no. of cables			
Min. shield diam.	1,5 mm		
Max. shield diam.	3 mm		



Part No.	36778.2	Length	28,5 mm
EAN	4251269303	Width	12 mm
	234	Height	20,1 mm
Package quantity	10	For min. wall thickness	1,5 mm
No. of shield clamps	1	For max. wall thickness	2 mm
For max. no. of cables			
Min. shield diam.	3 mm		
Max. shield diam.	6 mm		

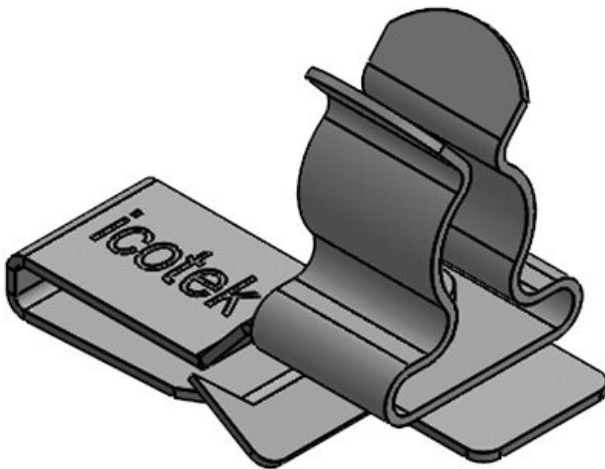
PFK-B|SKL 3-6

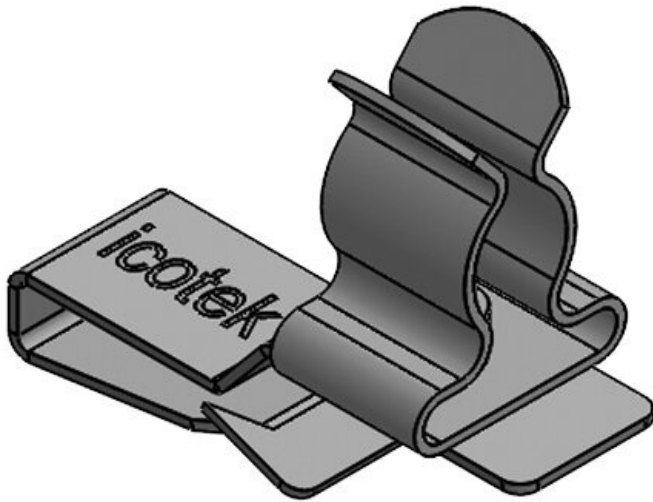
Part No.	36782.2	Length	28,5 mm
EAN	4251269303	Width	12 mm
	777	Height	21,1 mm
Package quantity	10	For min. wall thickness	2 mm
No. of shield clamps	1	For max. wall thickness	3 mm
For max. no. of cables	1		
Min. shield diam.	3 mm		
Max. shield diam.	6 mm		



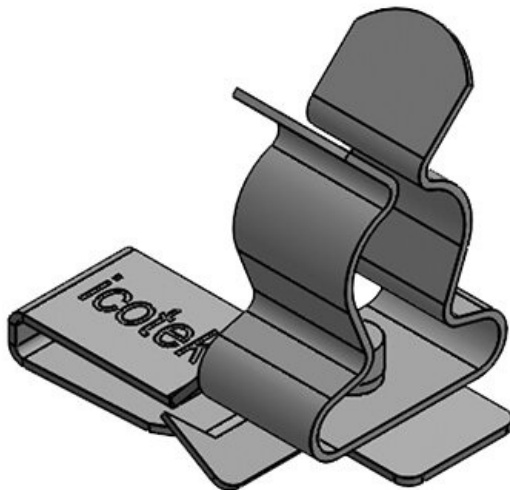
PFK-A|SKL 6-8

Part No.	36778.3	Length	28,5 mm
EAN	4251269303	Width	12 mm
	241	Height	21,5 mm
Package quantity	10	For min. wall thickness	1,5 mm
No. of shield clamps	1	For max. wall thickness	2 mm
For max. no. of cables	1		
Min. shield diam.	6 mm		
Max. shield diam.	8 mm		



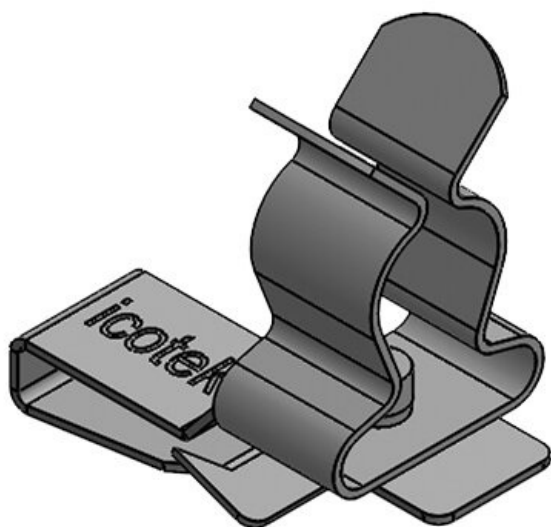


Part No.	36782.3	Length	28,5 mm
EAN	4251269303	Width	12 mm
	784	Height	22,5 mm
Package quantity	10	For min. wall thickness	2 mm
No. of shield clamps	1	For max. wall thickness	3 mm
For max. no. of cables			
Min. shield diam.	6 mm		
Max. shield diam.	8 mm		

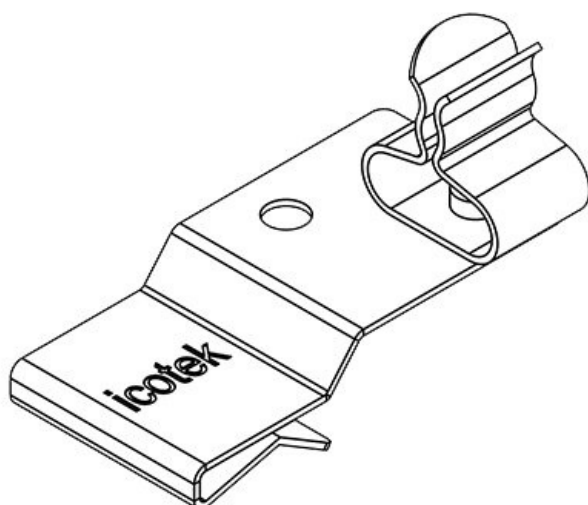


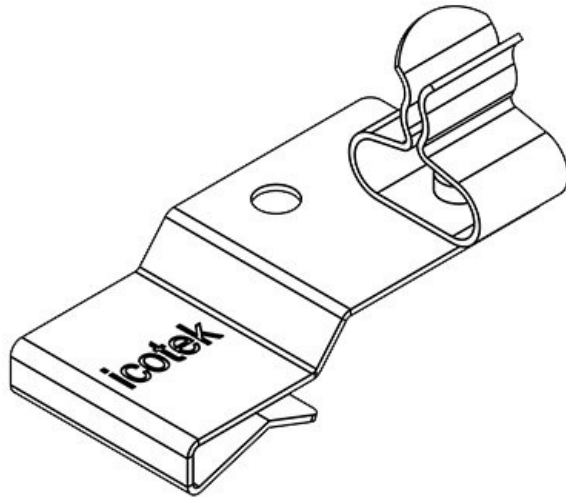
Part No.	36778.4	Length	28,5 mm
EAN	4251269303	Width	12 mm
	258	Height	26,5 mm
Package quantity	10	For min. wall thickness	1,5 mm
No. of shield clamps	1	For max. wall thickness	2 mm
For max. no. of cables			
Min. shield diam.	8 mm		
Max. shield diam.	11 mm		

Part No.	36782.4	Length	28,5 mm
EAN	4251269303	Width	12 mm
	791	Height	27,5 mm
Package quantity	10	For min. wall thickness	2 mm
No. of shield clamps	1	For max. wall thickness	3 mm
For max. no. of cables	1		
Min. shield diam.	8 mm		
Max. shield diam.	11 mm		

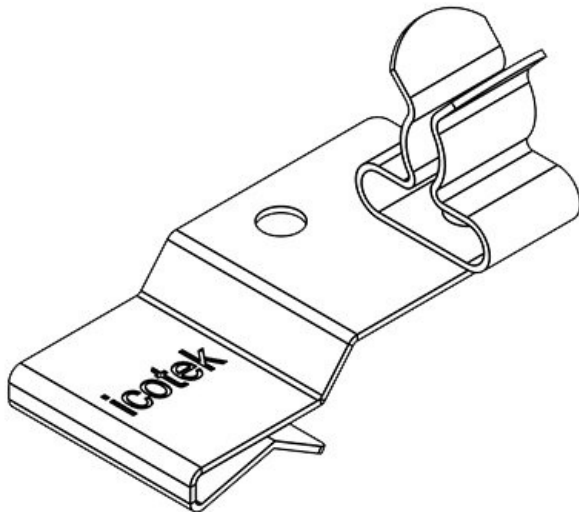


Part No.	36780.01	Length	32,5 mm
EAN	4251269303	Width	18 mm
	302	Height	20,7 mm
Package quantity	10	For min. wall thickness	1,5 mm
No. of shield clamps	1	For max. wall thickness	2 mm
For max. no. of cables	1		
Min. shield diam. pos. 2	1,5 mm		
Max. shield diam. pos. 2	3 mm		



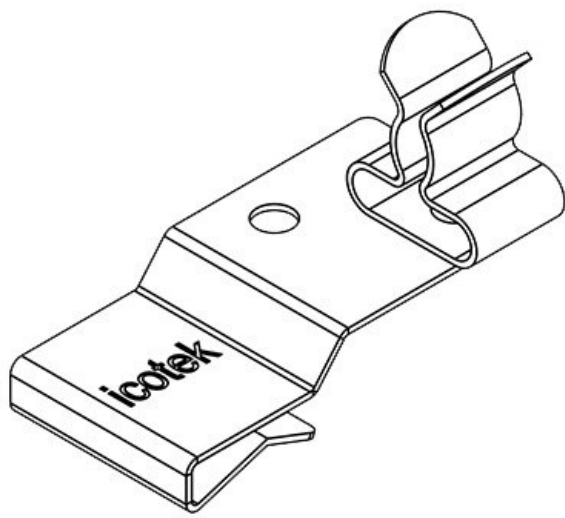


Part No.	36784.01	Length	32,5 mm
EAN	4251269303	Width	18 mm
	845	Height	20,4 mm
Package quantity	10	For min. wall thickness	2 mm
No. of shield clamps	1	For max. wall thickness	3 mm
For max. no. of cables			
Min. shield diam. pos. 2	1,5 mm		
Max. shield diam. pos. 2	3 mm		

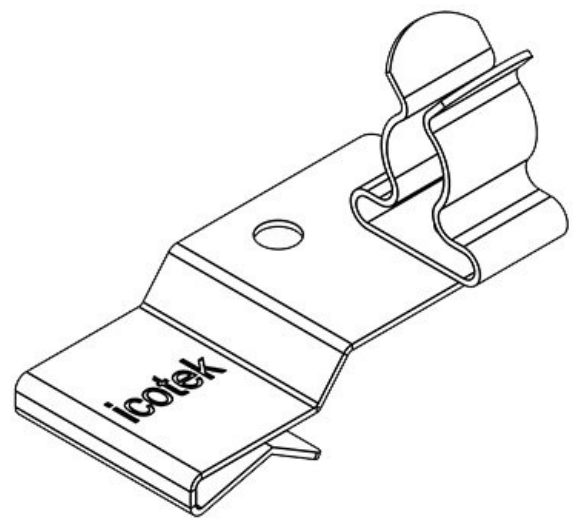


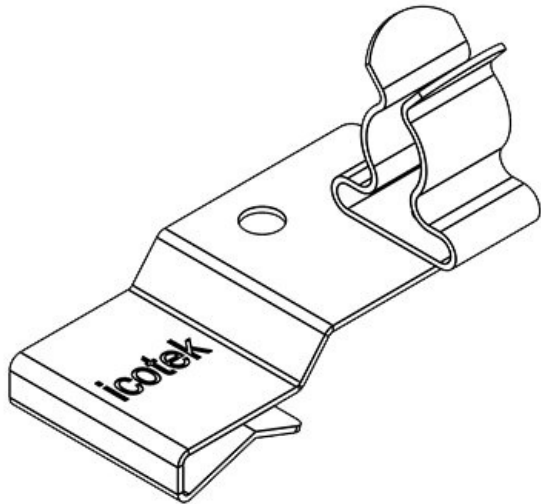
Part No.	36780.02	Length	32,5 mm
EAN	4251269303	Width	18 mm
	319	Height	21,5 mm
Package quantity	10	For min. wall thickness	1,5 mm
No. of shield clamps	1	For max. wall thickness	2 mm
For max. no. of cables			
Min. shield diam. pos. 2	3 mm		
Max. shield diam. pos. 2	6 mm		

Part No.	36784.02	Length	32,5 mm
EAN	4251269303	Width	18 mm
	852	Height	21,1 mm
Package quantity	10	For min. wall thickness	2 mm
No. of shield clamps	1	For max. wall thickness	3 mm
For max. no. of cables	1		
Min. shield diam. pos. 2	3 mm		
Max. shield diam. pos. 2	6 mm		

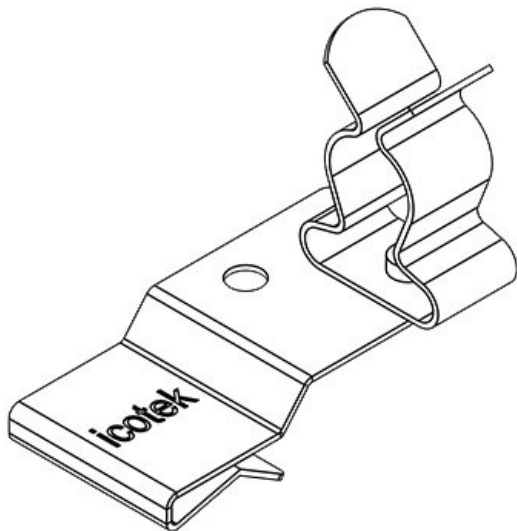


Part No.	36780.03	Length	32,5 mm
EAN	4251269303	Width	18 mm
	326	Height	22,9 mm
Package quantity	10	For min. wall thickness	1,5 mm
No. of shield clamps	1	For max. wall thickness	2 mm
For max. no. of cables	1		
Min. shield diam. pos. 2	6 mm		
Max. shield diam. pos. 2	8 mm		





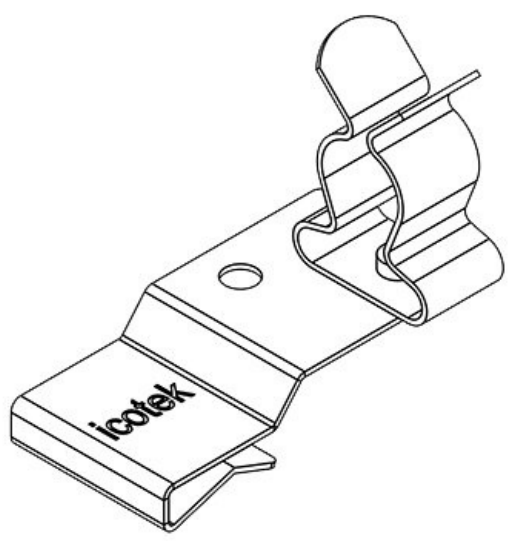
Part No.	36784.03	Length	32,5 mm
EAN	4251269303	Width	18 mm
	869	Height	22,5 mm
Package quantity	10	For min. wall thickness	2 mm
No. of shield clamps	1	For max. wall thickness	3 mm
For max. no. of cables			
Min. shield diam. pos. 2	6 mm		
Max. shield diam. pos. 2	8 mm		



Part No.	36780.04	Length	32,5 mm
EAN	4251269303	Width	18 mm
	333	Height	27,9 mm
Package quantity	10	For min. wall thickness	1,5 mm
No. of shield clamps	1	For max. wall thickness	2 mm
For max. no. of cables			
Min. shield diam. pos. 2	8 mm		
Max. shield diam. pos. 2	11 mm		

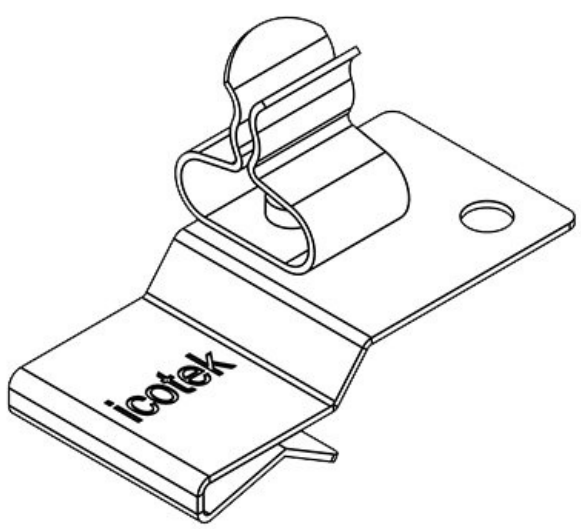
PFK2-B|SKL 04

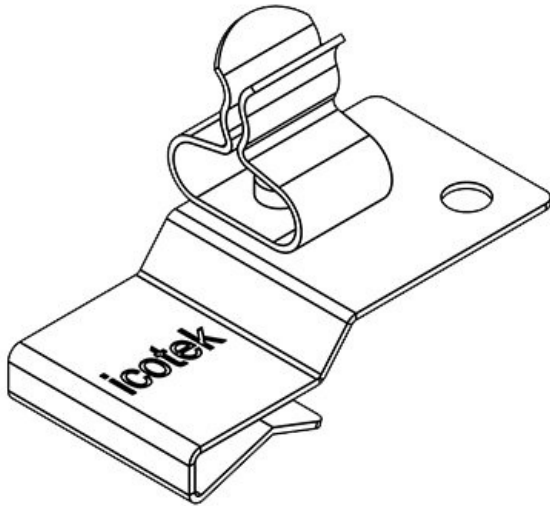
Part No.	36784.04	Length	32,5 mm
EAN	4251269303	Width	18 mm
	876	Height	27,5 mm
Package quantity	10	For min. wall thickness	2 mm
No. of shield clamps	1	For max. wall thickness	3 mm
For max. no. of cables	1		
Min. shield diam. pos. 2	8 mm		
Max. shield diam. pos. 2	11 mm		



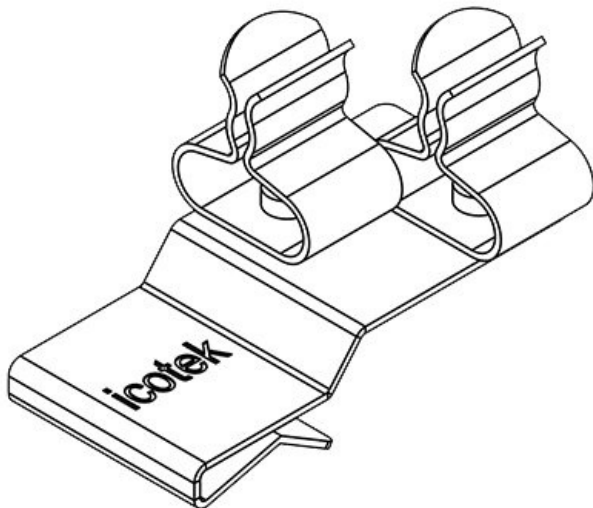
PFK2-A|SKL 10

Part No.	36780.10	Length	32,5 mm
EAN	4251269303	Width	18 mm
	340	Height	20,7 mm
Package quantity	10	For min. wall thickness	1,5 mm
No. of shield clamps	1	For max. wall thickness	2 mm
For max. no. of cables	1		
Min. shield diam. pos. 1	1,5 mm		
Max. shield diam. pos. 1	3 mm		





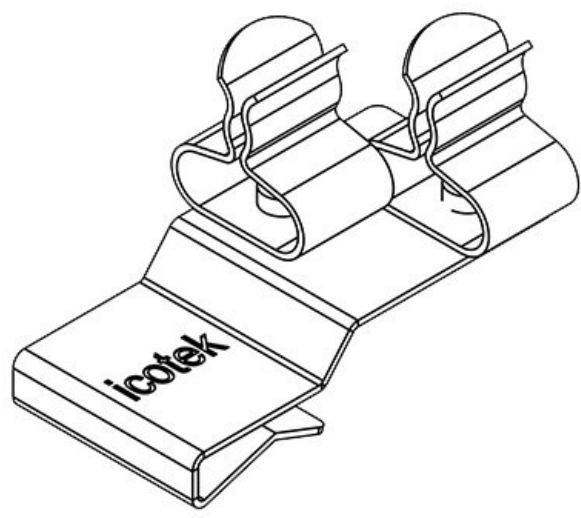
Part No.	36784.10	Length	32,5 mm
EAN	4251269303	Width	18 mm
	883	Height	20,4 mm
Package quantity	10	For min. wall thickness	2 mm
No. of shield clamps	1	For max. wall thickness	3 mm
For max. no. of cables	1		
Min. shield diam. pos. 1	1,5 mm		
Max. shield diam. pos. 1	3 mm		



Part No.	36780.11	Min. shield diam. pos. 2	1,5 mm
EAN	4251269303	Max. shield diam. pos. 2	3 mm
	357	Length	32,5 mm
Package quantity	10	Width	20 mm
No. of shield clamps	2	Height	20,7 mm
For max. no. of cables	2	For min. wall thickness	1,5 mm
Min. shield diam. pos. 1	1,5 mm	For max. wall thickness	2 mm
Max. shield diam. pos. 1	3 mm		

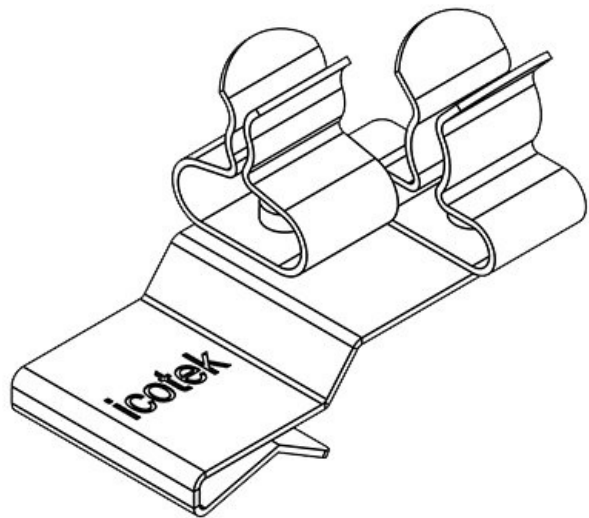
PFK2-B|SKL 11

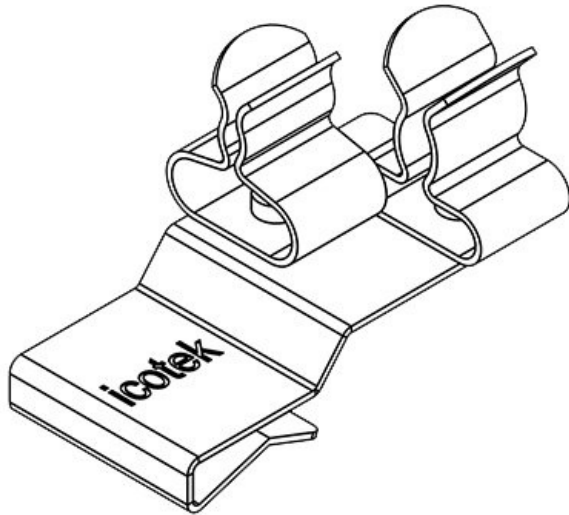
Part No.	36784.11	Min. shield	1,5 mm
EAN	4251269303	diam. pos. 2	
	890	Max. shield	3 mm
Package	10	diam. pos. 2	
quantity		Length	32,5 mm
No. of shield	2	Width	20 mm
clamps		Height	20,4 mm
For max. no. of	2	For min. wall	2 mm
cables		thickness	
Min. shield	1,5 mm	For max. wall	3 mm
diam. pos. 1		thickness	
Max. shield	3 mm		
diam. pos. 1			



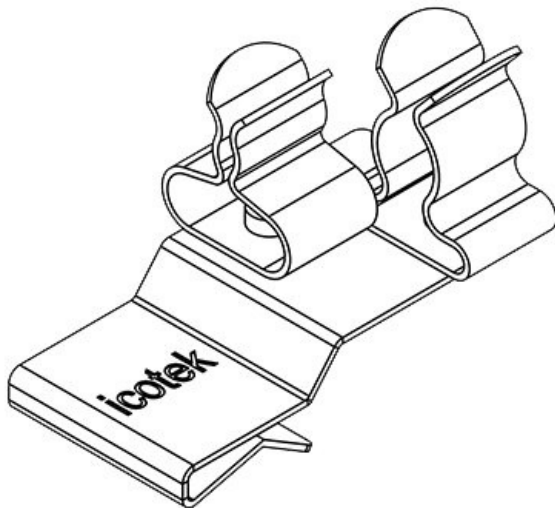
PFK2-A|SKL 12

Part No.	36780.12	Min. shield	3 mm
EAN	4251269303	diam. pos. 2	
	364	Max. shield	6 mm
Package	10	diam. pos. 2	
quantity		Length	32,5 mm
No. of shield	2	Width	20 mm
clamps		Height	21,5 mm
For max. no. of	2	For min. wall	1,5 mm
cables		thickness	
Min. shield	1,5 mm	For max. wall	2 mm
diam. pos. 1		thickness	
Max. shield	3 mm		
diam. pos. 1			



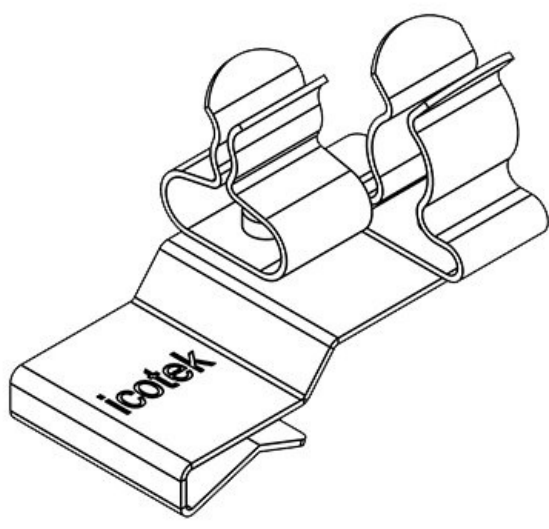


Part No.	36784.12	Min. shield	3 mm
EAN	4251269303	diam. pos. 2	
	906	Max. shield	6 mm
Package	10	diam. pos. 2	
quantity		Length	32,5 mm
No. of shield	2	Width	20 mm
clamps		Height	21,1 mm
For max. no. of		For min. wall	2 mm
cables		thickness	
Min. shield	1,5 mm	For max. wall	3 mm
diam. pos. 1		thickness	
Max. shield	3 mm		
diam. pos. 1			

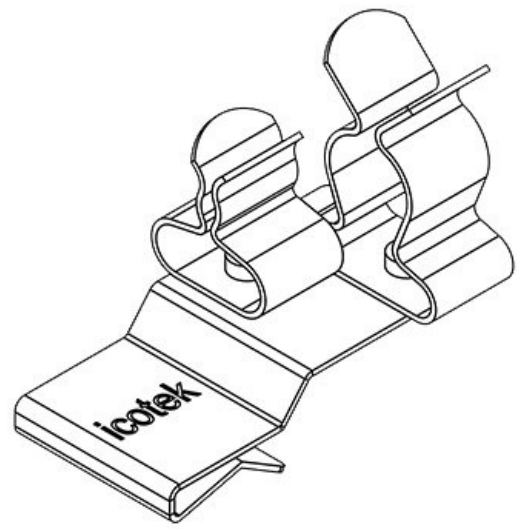


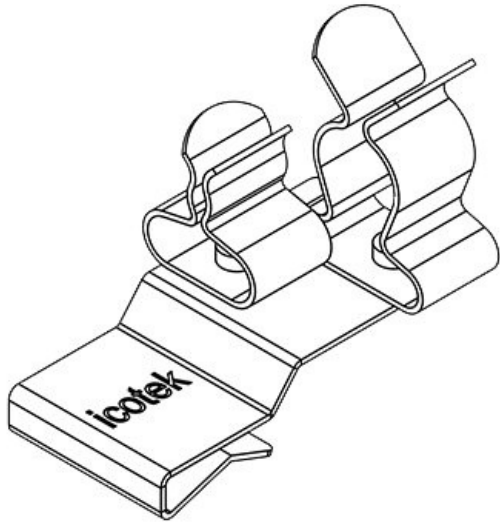
Part No.	36780.13	Min. shield	6 mm
EAN	4251269303	diam. pos. 2	
	371	Max. shield	8 mm
Package	10	diam. pos. 2	
quantity		Length	32,5 mm
No. of shield	2	Width	20 mm
clamps		Height	22,9 mm
For max. no. of		For min. wall	1,5 mm
cables		thickness	
Min. shield	1,5 mm	For max. wall	2 mm
diam. pos. 1		thickness	
Max. shield	3 mm		
diam. pos. 1			

Part No.	36784.13	Min. shield	6 mm
EAN	4251269303	diam. pos. 2	
	913	Max. shield	8 mm
Package	10	diam. pos. 2	
quantity		Length	32,5 mm
No. of shield	2	Width	20 mm
clamps		Height	22,5 mm
For max. no. of	2	For min. wall	2 mm
cables		thickness	
Min. shield	1,5 mm	For max. wall	3 mm
diam. pos. 1		thickness	
Max. shield	3 mm		
diam. pos. 1			

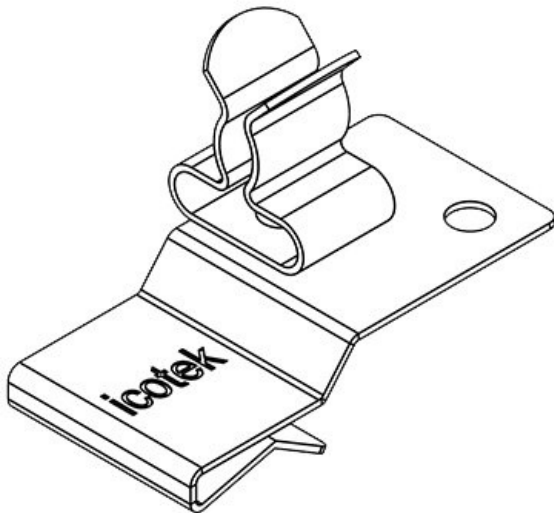


Part No.	36780.14	Min. shield	8 mm
EAN	4251269303	diam. pos. 2	
	388	Max. shield	11 mm
Package	10	diam. pos. 2	
quantity		Length	32,5 mm
No. of shield	2	Width	20 mm
clamps		Height	27,9 mm
For max. no. of	2	For min. wall	1,5 mm
cables		thickness	
Min. shield	1,5 mm	For max. wall	2 mm
diam. pos. 1		thickness	
Max. shield	3 mm		
diam. pos. 1			





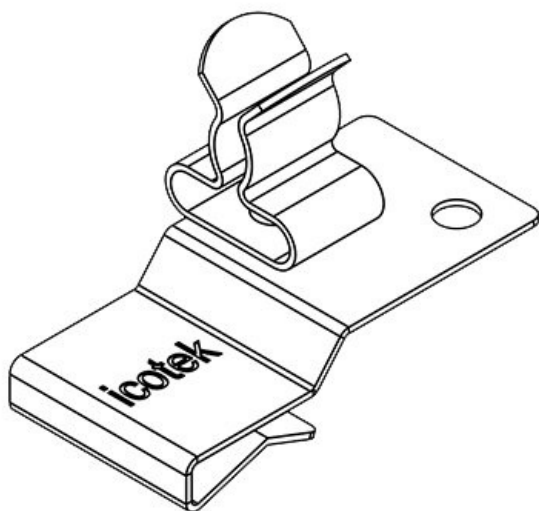
Part No.	36784.14	Min. shield	8 mm
EAN	4251269303	diam. pos. 2	
	920	Max. shield	11 mm
Package	10	diam. pos. 2	
quantity		Length	32,5 mm
No. of shield	2	Width	20 mm
clamps		Height	27,5 mm
For max. no. of		For min. wall	2 mm
cables		thickness	
Min. shield	1,5 mm	For max. wall	3 mm
diam. pos. 1		thickness	
Max. shield	3 mm		
diam. pos. 1			



Part No.	36780.20	Length	32,5 mm
EAN	4251269303	Width	18 mm
	395	Height	21,5 mm
Package	10	For min. wall	1,5 mm
quantity		thickness	
No. of shield	1	For max. wall	2 mm
clamps		thickness	
For max. no. of			
cables			
Min. shield	3 mm		
diam. pos. 1			
Max. shield	6 mm		
diam. pos. 1			

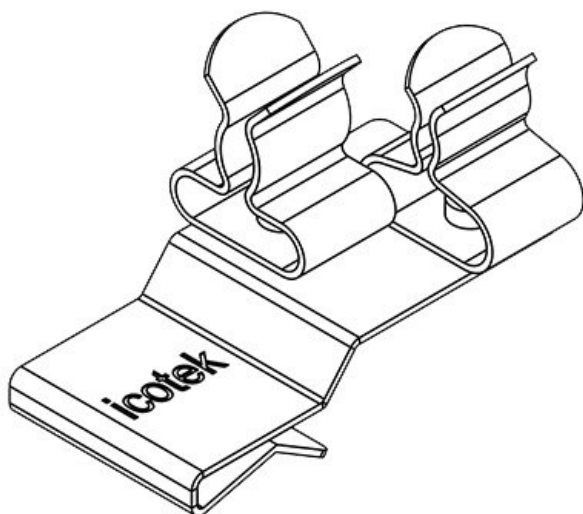
PFK2-B|SKL 20

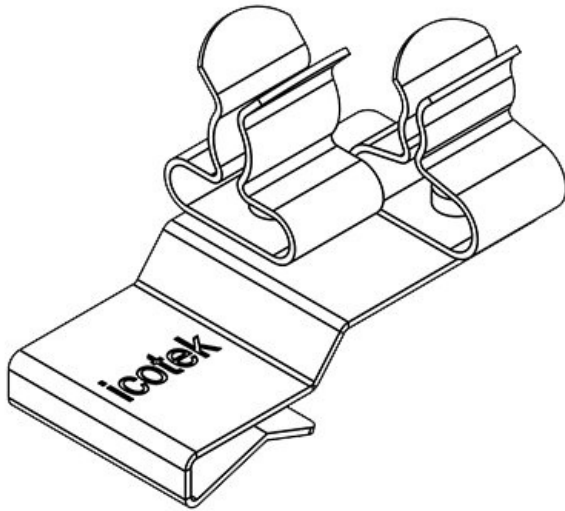
Part No.	36784.20	Length	32,5 mm
EAN	4251269303	Width	18 mm
	937	Height	21,1 mm
Package quantity	10	For min. wall thickness	2 mm
No. of shield clamps	1	For max. wall thickness	3 mm
For max. no. of cables	1		
Min. shield diam. pos. 1	3 mm		
Max. shield diam. pos. 1	6 mm		



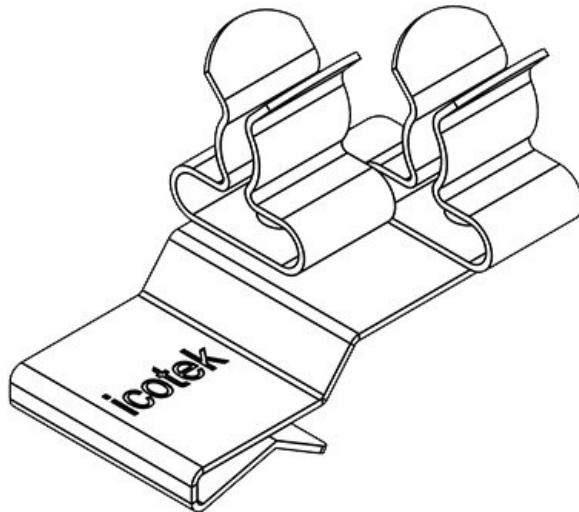
PFK2-A|SKL 21

Part No.	36780.21	Min. shield diam. pos. 2	1,5 mm
EAN	4251269303	Max. shield diam. pos. 2	3 mm
	401		
Package quantity	10	Length	32,5 mm
No. of shield clamps	2	Width	20 mm
For max. no. of cables	2	Height	21,5 mm
Min. shield diam. pos. 1	3 mm	For min. wall thickness	1,5 mm
Max. shield diam. pos. 1	6 mm	For max. wall thickness	2 mm



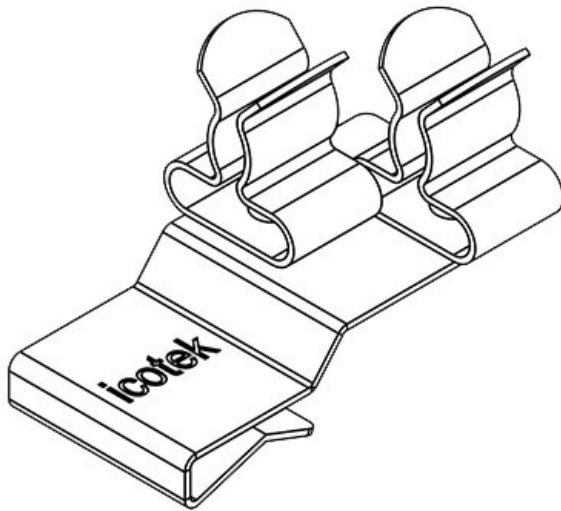


Part No.	36784.21	Min. shield	1,5 mm
EAN	4251269303	diam. pos. 2	
	944	Max. shield	3 mm
Package	10	diam. pos. 2	
quantity		Length	32,5 mm
No. of shield	2	Width	20 mm
clamps		Height	21,1 mm
For max. no. of		For min. wall	2 mm
cables		thickness	
Min. shield	3 mm	For max. wall	3 mm
diam. pos. 1		thickness	
Max. shield	6 mm		
diam. pos. 1			

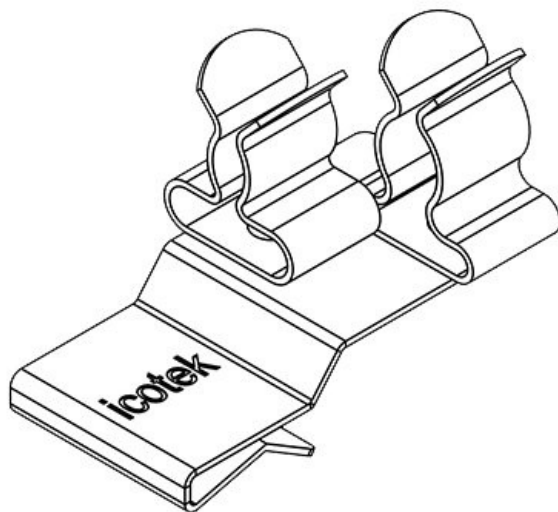


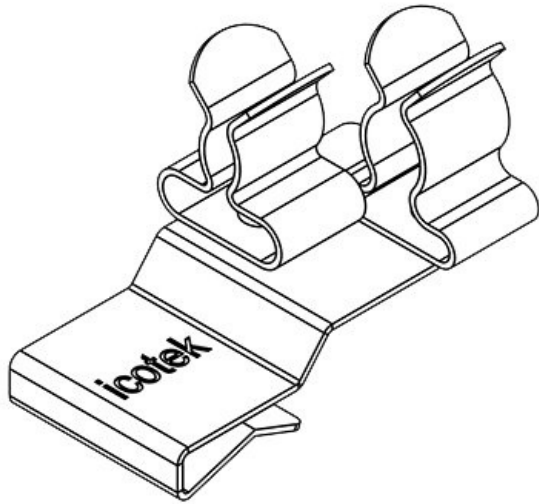
Part No.	36780.22	Min. shield	3 mm
EAN	4251269303	diam. pos. 2	
	418	Max. shield	6 mm
Package	10	diam. pos. 2	
quantity		Length	32,5 mm
No. of shield	2	Width	20 mm
clamps		Height	21,5 mm
For max. no. of		For min. wall	1,5 mm
cables		thickness	
Min. shield	3 mm	For max. wall	2 mm
diam. pos. 1		thickness	
Max. shield	6 mm		
diam. pos. 1			

Part No.	36784.22	Min. shield	3 mm
EAN	4251269303	diam. pos. 2	
	951	Max. shield	6 mm
Package	10	diam. pos. 2	
quantity		Length	32,5 mm
No. of shield	2	Width	20 mm
clamps		Height	21,1 mm
For max. no. of		For min. wall	2 mm
cables		thickness	
Min. shield	3 mm	For max. wall	3 mm
diam. pos. 1		thickness	
Max. shield	6 mm		
diam. pos. 1			

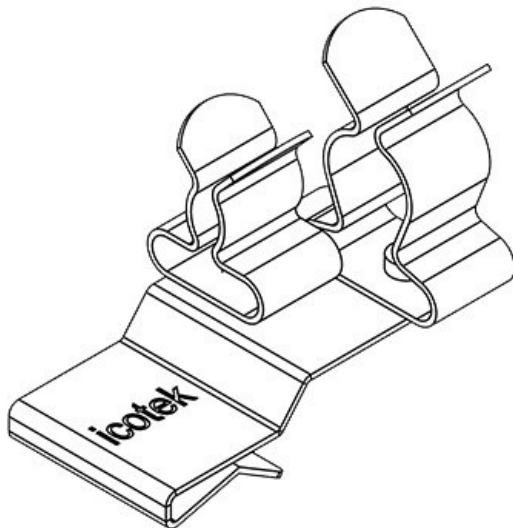


Part No.	36780.23	Min. shield	6 mm
EAN	4251269303	diam. pos. 2	
	425	Max. shield	8 mm
Package	10	diam. pos. 2	
quantity		Length	32,5 mm
No. of shield	2	Width	20 mm
clamps		Height	22,9 mm
For max. no. of		For min. wall	1,5 mm
cables		thickness	
Min. shield	3 mm	For max. wall	2 mm
diam. pos. 1		thickness	
Max. shield	6 mm		
diam. pos. 1			



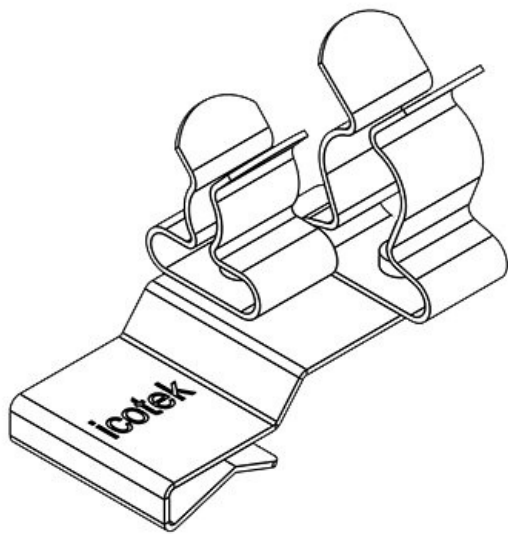


Part No.	36784.23	Min. shield	6 mm
EAN	4251269303	diam. pos. 2	
	968	Max. shield	8 mm
Package	10	diam. pos. 2	
quantity		Length	32,5 mm
No. of shield	2	Width	20 mm
clamps		Height	22,5 mm
For max. no. of		For min. wall	2 mm
cables		thickness	
Min. shield	3 mm	For max. wall	3 mm
diam. pos. 1		thickness	
Max. shield	6 mm		
diam. pos. 1			

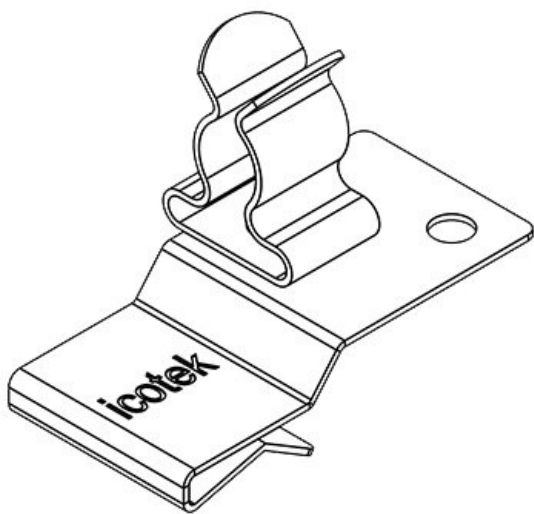


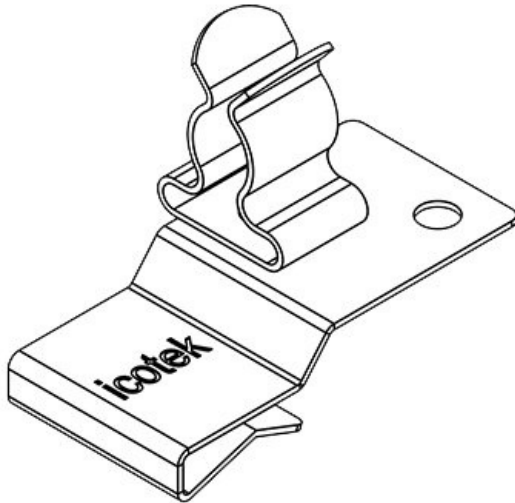
Part No.	36780.24	Min. shield	8 mm
EAN	4251269303	diam. pos. 2	
	432	Max. shield	11 mm
Package	10	diam. pos. 2	
quantity		Length	32,5 mm
No. of shield	2	Width	20 mm
clamps		Height	27,9 mm
For max. no. of		For min. wall	1,5 mm
cables		thickness	
Min. shield	3 mm	For max. wall	2 mm
diam. pos. 1		thickness	
Max. shield	6 mm		
diam. pos. 1			

Part No.	36784.24	Min. shield	8 mm
EAN	4251269303	diam. pos. 2	
	975	Max. shield	11 mm
Package	10	diam. pos. 2	
quantity		Length	32,5 mm
No. of shield	2	Width	20 mm
clamps		Height	27,5 mm
For max. no. of	2	For min. wall	2 mm
cables		thickness	
Min. shield	3 mm	For max. wall	3 mm
diam. pos. 1		thickness	
Max. shield	6 mm		
diam. pos. 1			

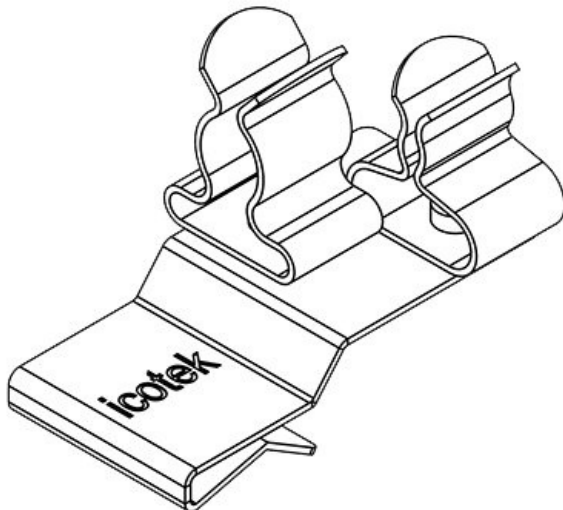


Part No.	36780.30	Length	32,5 mm
EAN	4251269303	Width	18 mm
	449	Height	22,9 mm
Package	10	For min. wall	1,5 mm
quantity		thickness	
No. of shield	1	For max. wall	2 mm
clamps		thickness	
For max. no. of	1		
cables			
Min. shield	6 mm		
diam. pos. 1			
Max. shield	8 mm		
diam. pos. 1			



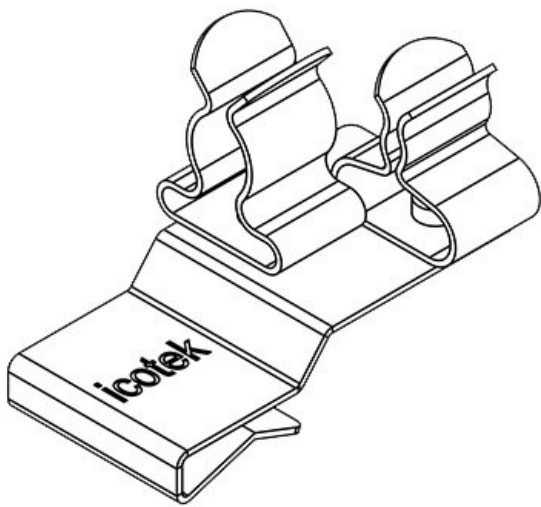


Part No.	36784.30	Length	32,5 mm
EAN	4251269303	Width	18 mm
	982	Height	22,5 mm
Package quantity	10	For min. wall thickness	2 mm
No. of shield clamps	1	For max. wall thickness	3 mm
For max. no. of cables	1		
Min. shield diam. pos. 1	6 mm		
Max. shield diam. pos. 1	8 mm		

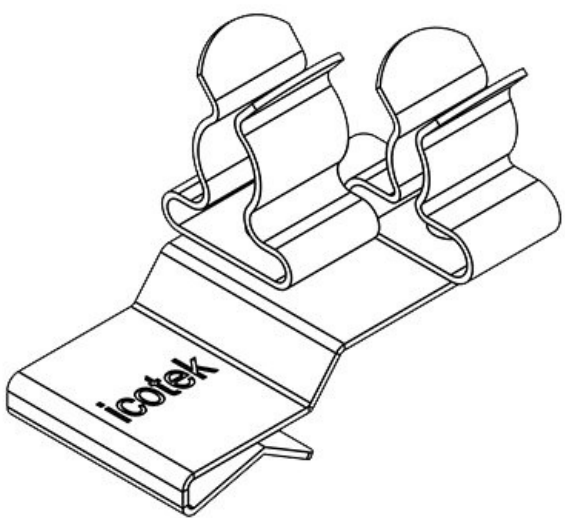


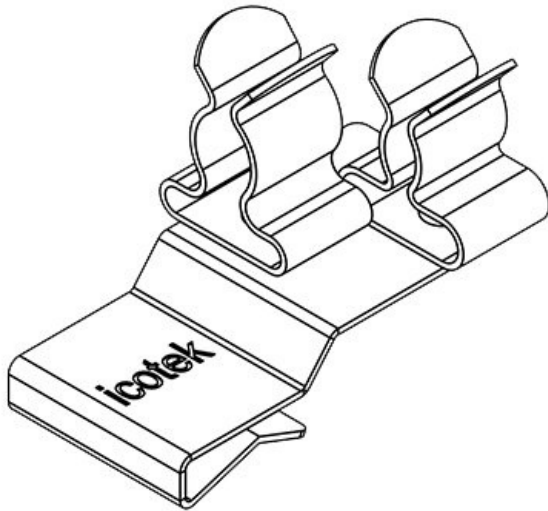
Part No.	36780.31	Min. shield diam. pos. 2	1,5 mm
EAN	4251269303	Max. shield diam. pos. 2	3 mm
	456	Length	32,5 mm
Package quantity	10	Width	20 mm
No. of shield clamps	2	Height	22,9 mm
For max. no. of cables	2	For min. wall thickness	1,5 mm
Min. shield diam. pos. 1	6 mm	For max. wall thickness	2 mm
Max. shield diam. pos. 1	8 mm		

Part No.	36784.31	Min. shield	1,5 mm
EAN	4251269303	diam. pos. 2	
	999	Max. shield	3 mm
Package	10	diam. pos. 2	
quantity		Length	32,5 mm
No. of shield	2	Width	20 mm
clamps		Height	22,5 mm
For max. no. of	2	For min. wall	2 mm
cables		thickness	
Min. shield	6 mm	For max. wall	3 mm
diam. pos. 1		thickness	
Max. shield	8 mm		
diam. pos. 1			

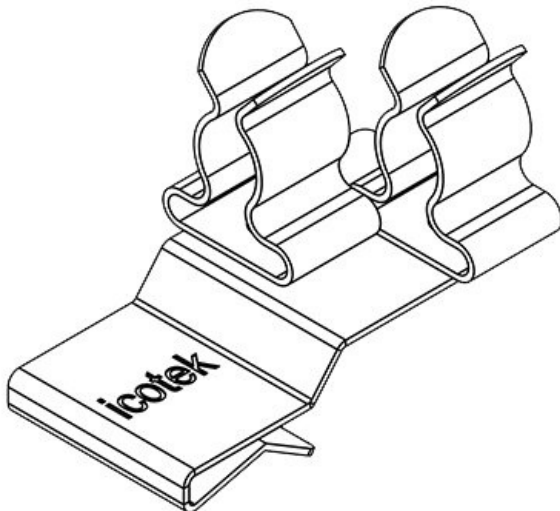


Part No.	36780.32	Min. shield	3 mm
EAN	4251269303	diam. pos. 2	
	463	Max. shield	6 mm
Package	10	diam. pos. 2	
quantity		Length	32,5 mm
No. of shield	2	Width	20 mm
clamps		Height	22,9 mm
For max. no. of	2	For min. wall	1,5 mm
cables		thickness	
Min. shield	6 mm	For max. wall	2 mm
diam. pos. 1		thickness	
Max. shield	8 mm		
diam. pos. 1			





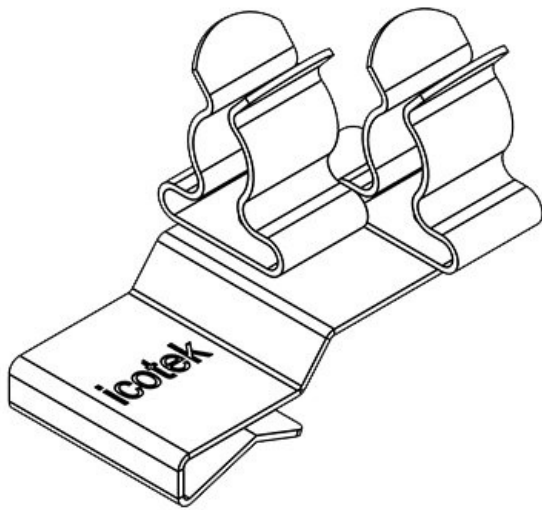
Part No.	36784.32	Min. shield	3 mm
EAN	4251269304	diam. pos. 2	
	002	Max. shield	6 mm
Package	10	diam. pos. 2	
quantity		Length	32,5 mm
No. of shield	2	Width	20 mm
clamps		Height	22,5 mm
For max. no. of		For min. wall	2 mm
cables		thickness	
Min. shield	6 mm	For max. wall	3 mm
diam. pos. 1		thickness	
Max. shield	8 mm		
diam. pos. 1			



Part No.	36780.33	Min. shield	6 mm
EAN	4251269303	diam. pos. 2	
	470	Max. shield	8 mm
Package	10	diam. pos. 2	
quantity		Length	32,5 mm
No. of shield	2	Width	20 mm
clamps		Height	22,9 mm
For max. no. of		For min. wall	1,5 mm
cables		thickness	
Min. shield	6 mm	For max. wall	2 mm
diam. pos. 1		thickness	
Max. shield	8 mm		
diam. pos. 1			

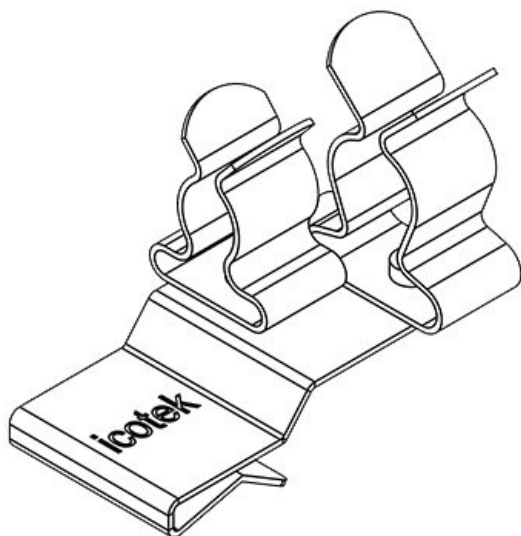
PFK2-B|SKL 33

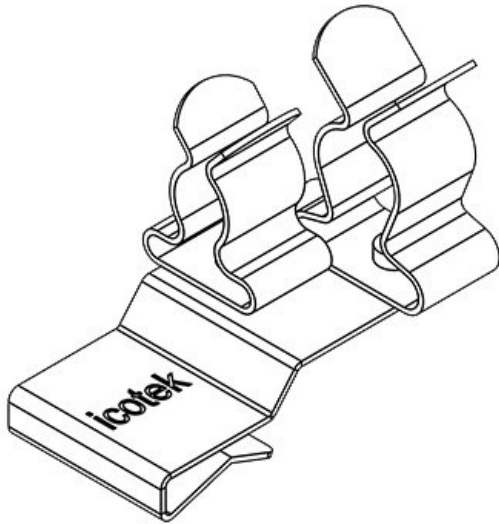
Part No.	36784.33	Min. shield	6 mm
EAN	4251269304	diam. pos. 2	
	019	Max. shield	8 mm
Package	10	diam. pos. 2	
quantity		Length	32,5 mm
No. of shield	2	Width	20 mm
clamps		Height	22,5 mm
For max. no. of	2	For min. wall	2 mm
cables		thickness	
Min. shield	6 mm	For max. wall	3 mm
diam. pos. 1		thickness	
Max. shield	8 mm		
diam. pos. 1			



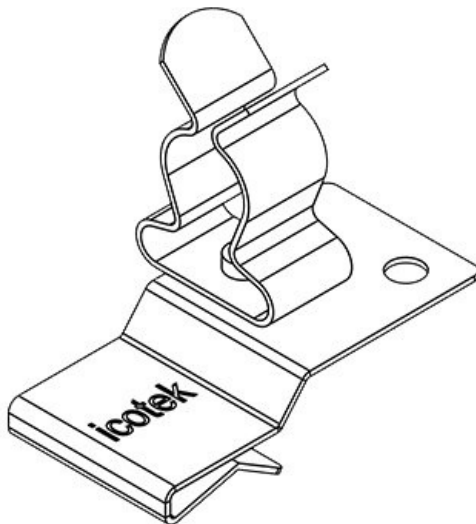
PFK2-A|SKL 34

Part No.	36780.34	Min. shield	8 mm
EAN	4251269303	diam. pos. 2	
	487	Max. shield	11 mm
Package	10	diam. pos. 2	
quantity		Length	32,5 mm
No. of shield	2	Width	20 mm
clamps		Height	27,9 mm
For max. no. of	2	For min. wall	1,5 mm
cables		thickness	
Min. shield	6 mm	For max. wall	2 mm
diam. pos. 1		thickness	
Max. shield	8 mm		
diam. pos. 1			





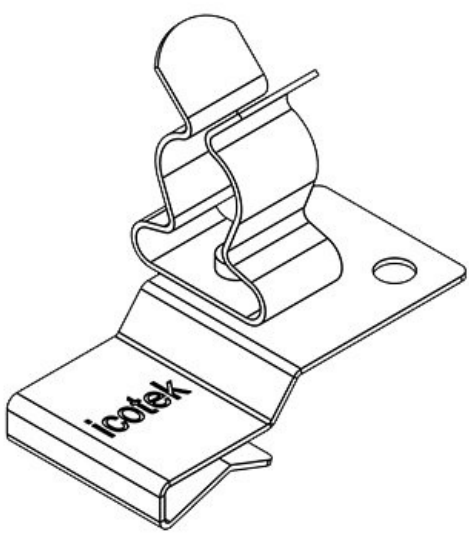
Part No.	36784.34	Min. shield diam. pos. 2	8 mm
EAN	4251269304	Max. shield diam. pos. 2	11 mm
Package quantity	10	Length	32,5 mm
No. of shield clamps	2	Width	20 mm
For max. no. of cables		Height	27,5 mm
Min. shield diam. pos. 1	6 mm	For min. wall thickness	2 mm
Max. shield diam. pos. 1	8 mm	For max. wall thickness	3 mm



Part No.	36780.40	Length	32,5 mm
EAN	4251269303	Width	18 mm
Package quantity	10	Height	27,9 mm
No. of shield clamps	1	For min. wall thickness	1,5 mm
For max. no. of cables		For max. wall thickness	2 mm
Min. shield diam. pos. 1	8 mm		
Max. shield diam. pos. 1	11 mm		

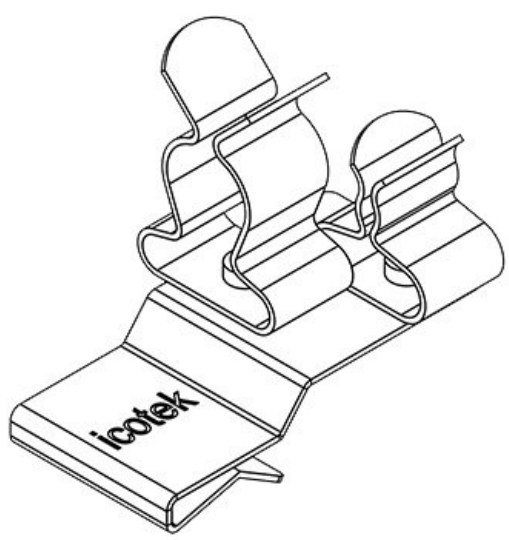
PFK2-B|SKL 40

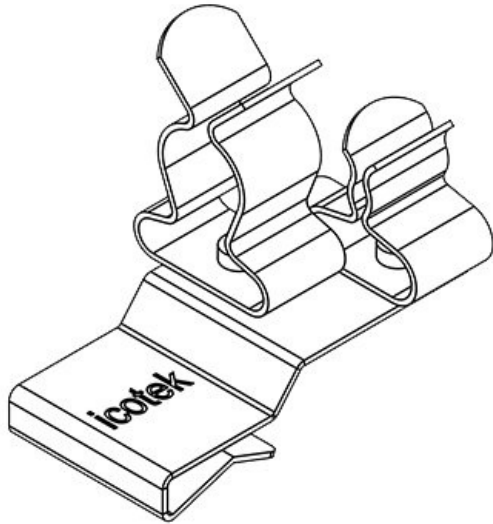
Part No.	36784.40	Length	32,5 mm
EAN	4251269304	Width	18 mm
	033	Height	27,5 mm
Package quantity	10	For min. wall thickness	2 mm
No. of shield clamps	1	For max. wall thickness	3 mm
For max. no. of cables	1		
Min. shield diam. pos. 1	8 mm		
Max. shield diam. pos. 1	11 mm		



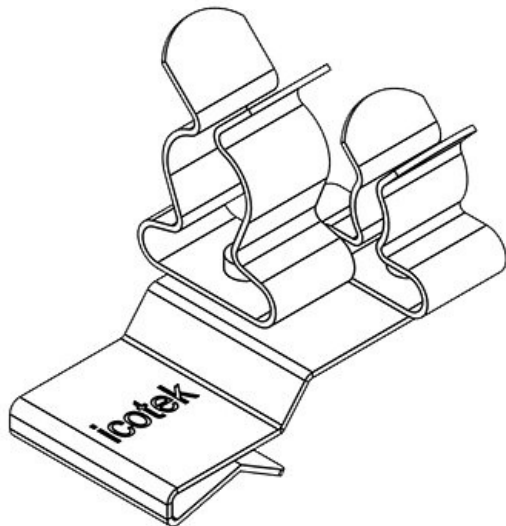
PFK2-A|SKL 41

Part No.	36780.41	Min. shield diam. pos. 2	1,5 mm
EAN	4251269303	Max. shield diam. pos. 2	3 mm
	500		
Package quantity	10	Length	32,5 mm
No. of shield clamps	2	Width	20 mm
For max. no. of cables	2	Height	27,9 mm
Min. shield diam. pos. 1	8 mm	For min. wall thickness	1,5 mm
Max. shield diam. pos. 1	11 mm	For max. wall thickness	2 mm





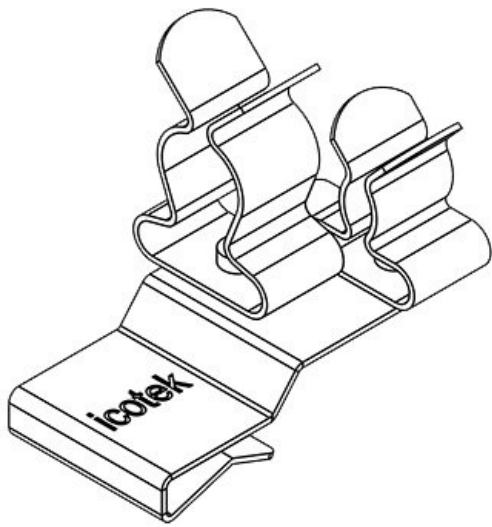
Part No.	36784.41	Min. shield	1,5 mm
EAN	4251269304	diam. pos. 2	
	040	Max. shield	3 mm
Package	10	diam. pos. 2	
quantity		Length	32,5 mm
No. of shield	2	Width	20 mm
clamps		Height	27,5 mm
For max. no. of		For min. wall	2 mm
cables		thickness	
Min. shield	8 mm	For max. wall	3 mm
diam. pos. 1		thickness	
Max. shield	11 mm		
diam. pos. 1			



Part No.	36780.42	Min. shield	3 mm
EAN	4251269303	diam. pos. 2	
	517	Max. shield	6 mm
Package	10	diam. pos. 2	
quantity		Length	32,5 mm
No. of shield	2	Width	20 mm
clamps		Height	27,9 mm
For max. no. of		For min. wall	1,5 mm
cables		thickness	
Min. shield	8 mm	For max. wall	2 mm
diam. pos. 1		thickness	
Max. shield	11 mm		
diam. pos. 1			

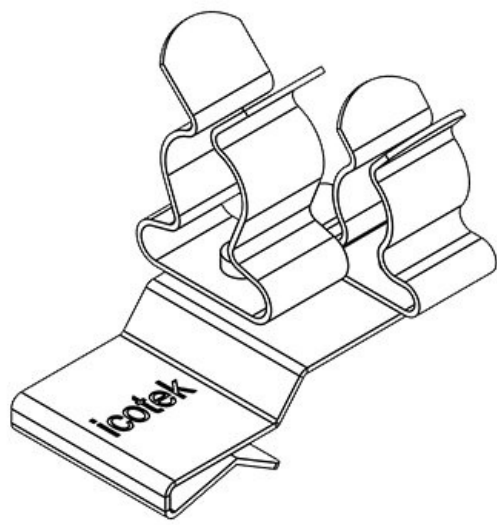
PFK2-B|SKL 42

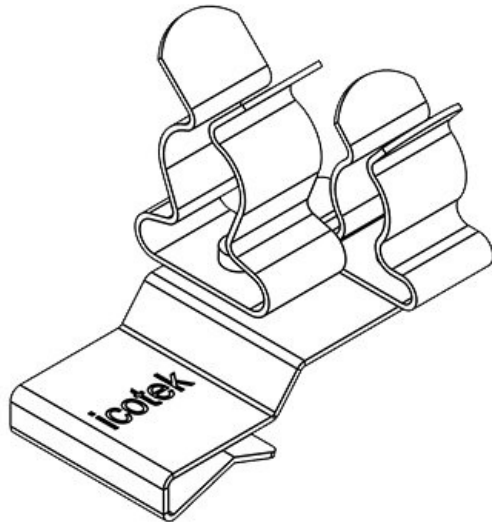
Part No.	36784.42	Min. shield	3 mm
EAN	4251269304	diam. pos. 2	
	057	Max. shield	6 mm
Package	10	diam. pos. 2	
quantity		Length	32,5 mm
No. of shield	2	Width	20 mm
clamps		Height	27,5 mm
For max. no. of	2	For min. wall	2 mm
cables		thickness	
Min. shield	8 mm	For max. wall	3 mm
diam. pos. 1		thickness	
Max. shield	11 mm		
diam. pos. 1			



PFK2-A|SKL 43

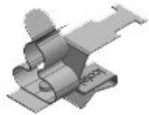
Part No.	36780.43	Min. shield	6 mm
EAN	4251269303	diam. pos. 2	
	524	Max. shield	8 mm
Package	10	diam. pos. 2	
quantity		Length	32,5 mm
No. of shield	2	Width	20 mm
clamps		Height	27,9 mm
For max. no. of	2	For min. wall	1,5 mm
cables		thickness	
Min. shield	8 mm	For max. wall	2 mm
diam. pos. 1		thickness	
Max. shield	11 mm		
diam. pos. 1			





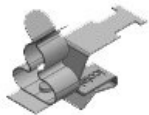
Part No.	36784.43	Min. shield diam. pos. 2	6 mm
EAN	4251269304	Max. shield diam. pos. 2	8 mm
Package quantity	10	Length	32,5 mm
No. of shield clamps	2	Width	20 mm
For max. no. of cables		Height	27,5 mm
Min. shield diam. pos. 1	8 mm	For min. wall thickness	2 mm
Max. shield diam. pos. 1	11 mm	For max. wall thickness	3 mm

PFKZ-A-M|MSKL 3-12



Part No.	37640	Min. shield diam.	3 mm
EAN	4251269316746	Max. shield diam.	12 mm
Package quantity	10	Width	15 mm
No. of shield clamps	1	Height	28,8 mm
Length	38 mm	For min. wall thickness	1,5 mm
Strain relief (acc. to EN 62444)	1	For max. wall thickness	2 mm
For max. no. of cables	1		

PFKZ-B-M|MSKL 3-12



Part No.	37650	Min. shield diam.	3 mm
EAN	4251269316760	Max. shield diam.	12 mm
Package quantity	10	Width	15 mm
No. of shield clamps	1	Height	28 mm
Length	38 mm	For min. wall thickness	2 mm
Strain relief (acc. to EN 62444)	1	For max. wall thickness	3 mm
For max. no. of cables	1		

PFKZ-A-M|MSKL 8-18



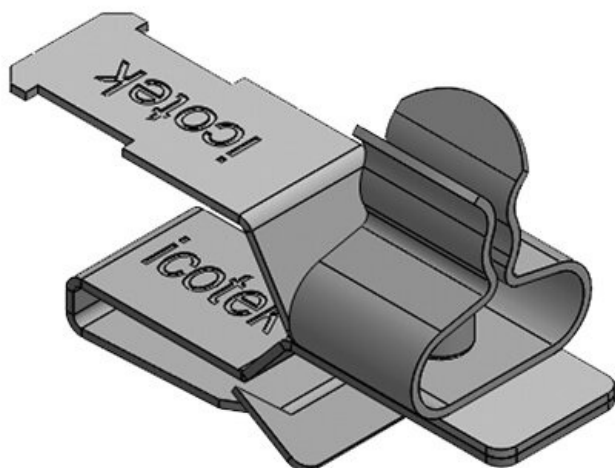
Part No.	37642	Min. shield diam.	8 mm
EAN	4251269316753	Max. shield diam.	18 mm
Package quantity	10	Width	20 mm
No. of shield clamps	1	Height	35 mm
Length	38 mm	For min. wall thickness	1,5 mm
Strain relief (acc. to EN 62444)	1	For max. wall thickness	2 mm
For max. no. of cables	1		

PFKZ-B-M|MSKL 8-18



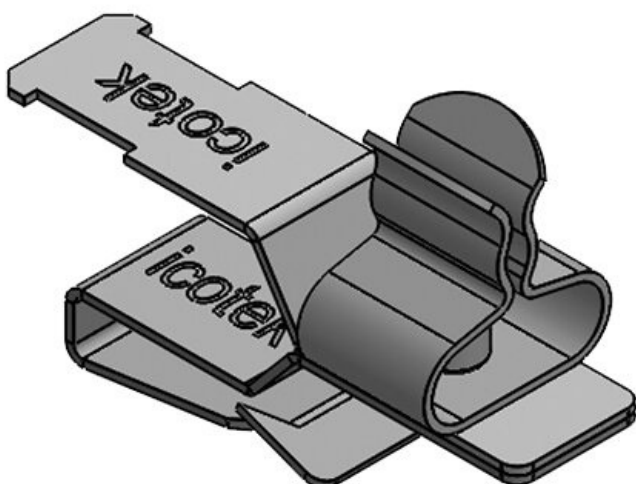
Part No.	37652	Min. shield diam.	8 mm
EAN	4251269316777	Max. shield diam.	18 mm
Package quantity	10	Width	20 mm
No. of shield clamps	1	Height	35 mm
Length	38 mm	For min. wall thickness	2 mm
Strain relief (acc. to EN 62444)	1	For max. wall thickness	3 mm
For max. no. of cables	1		

PFKZ-A|SKL 1.5-3



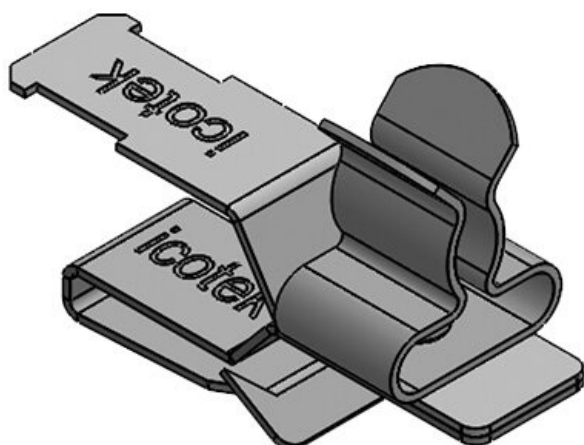
Part No.	36779.1	For max. no. of	1
EAN	4251269303	cables	
Package quantity	265	Min. shield diam.	1,5 mm
No. of shield clamps	10	Max. shield diam.	3 mm
Length	33 mm	Height	21 mm
Width	12 mm	For min. wall thickness	1,5 mm
Strain relief (acc. to EN 62444)	1	For max. wall thickness	2 mm

PFKZ-B|SKL 1.5-3



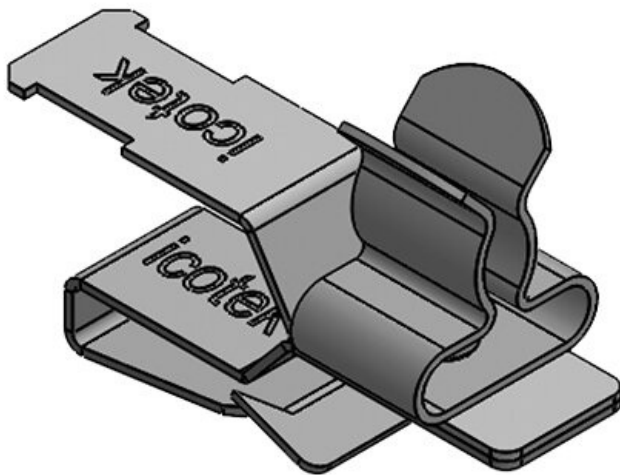
Part No.	36783.1	For max. no. of	1
EAN	4251269303	cables	
Package quantity	807	Min. shield diam.	1,5 mm
No. of shield clamps	10	Max. shield diam.	3 mm
Length	33 mm	Height	21 mm
Width	12 mm	For min. wall thickness	2 mm
Strain relief (acc. to EN 62444)	1	For max. wall thickness	3 mm

PFKZ-A|SKL 3-6



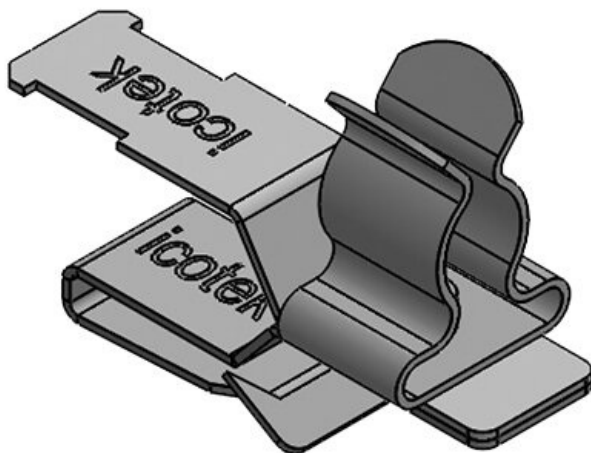
Part No.	36779.2	For max. no. of	1
EAN	4251269303	cables	
Package quantity	272	Min. shield diam.	3 mm
No. of shield clamps	10	Max. shield diam.	6 mm
Length	33 mm	Height	20,5 mm
Width	12 mm	For min. wall thickness	1,5 mm
Strain relief (acc. to EN 62444)	1	For max. wall thickness	2 mm

PFKZ-B|SKL 3-6



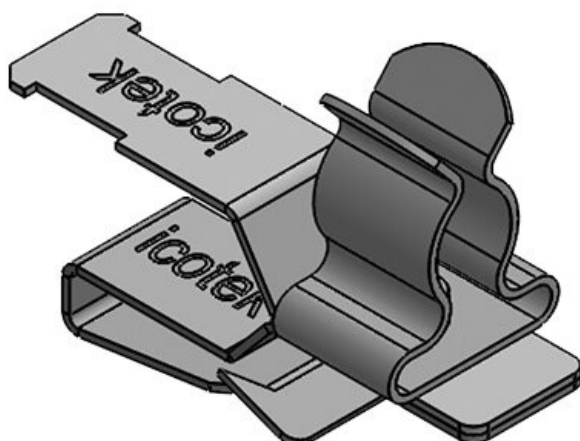
Part No.	36783.2	For max. no. of 1
EAN	4251269303	cables
	814	Min. shield 3 mm
Package quantity	10	diam.
No. of shield clamps	1	Max. shield 6 mm
Length	33 mm	diam.
Width	12 mm	Height 21,6 mm
Strain relief (acc. to EN 62444)	1	For min. wall 2 mm
		thickness
		For max. wall 3 mm
		thickness

PFKZ-A|SKL 6-8



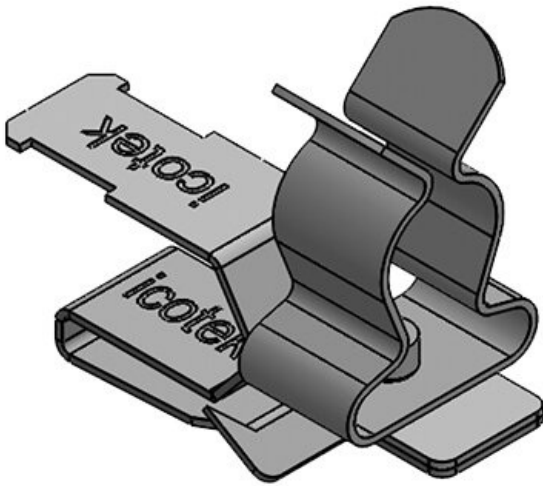
Part No.	36779.3	For max. no. of 1
EAN	4251269303	cables
	289	Min. shield 6 mm
Package quantity	10	diam.
No. of shield clamps	1	Max. shield 8 mm
Length	33 mm	diam.
Width	12 mm	Height 22 mm
Strain relief (acc. to EN 62444)	1	For min. wall 1,5 mm
		thickness
		For max. wall 2 mm
		thickness

PFKZ-B|SKL 6-8



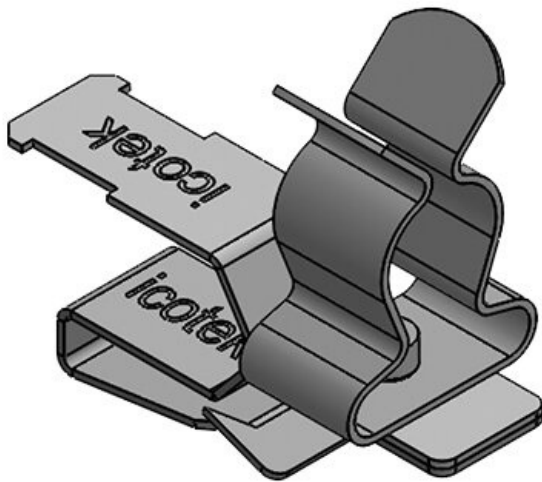
Part No.	36783.3	For max. no. of 1
EAN	4251269303	cables
	821	Min. shield 6 mm
Package quantity	10	diam.
No. of shield clamps	1	Max. shield 8 mm
Length	33 mm	diam.
Width	12 mm	Height 23 mm
Strain relief (acc. to EN 62444)	1	For min. wall 2 mm
		thickness
		For max. wall 3 mm
		thickness

PFKZ-A|SKL 8-11



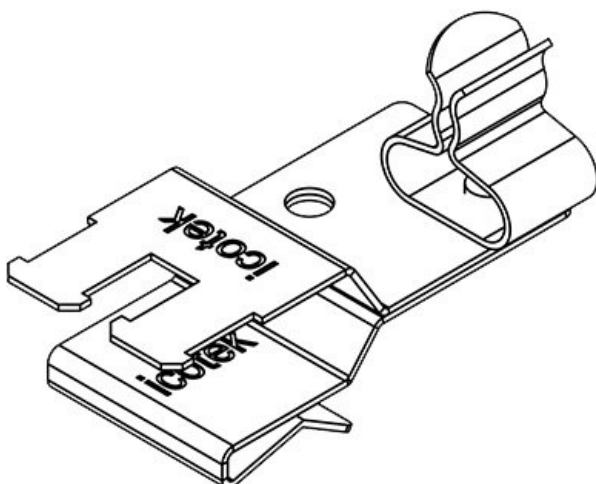
Part No.	36779.4	For max. no. of 1
EAN	4251269303	cables
Package quantity	296	Min. shield diam. 8 mm
No. of shield clamps	10	Max. shield diam. 11 mm
Length	33 mm	Height 27 mm
Width	12 mm	For min. wall thickness 1,5 mm
Strain relief (acc. to EN 62444)	1	For max. wall thickness 2 mm

PFKZ-B|SKL 8-11



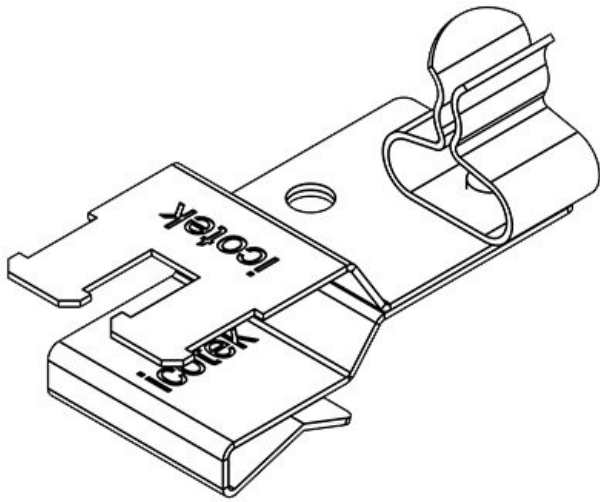
Part No.	36783.4	For max. no. of 1
EAN	4251269303	cables
Package quantity	838	Min. shield diam. 8 mm
No. of shield clamps	10	Max. shield diam. 11 mm
Length	33 mm	Height 28 mm
Width	12 mm	For min. wall thickness 2 mm
Strain relief (acc. to EN 62444)	1	For max. wall thickness 3 mm

PFKZ2-A|SKL 01



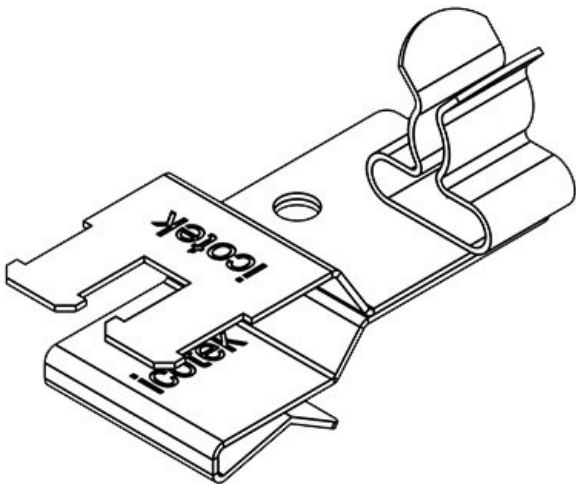
Part No.	36781.01	Min. shield diam. pos. 2 1,5 mm
EAN	4251269303	Max. shield diam. pos. 2 3 mm
Package quantity	531	Width 18 mm
Length	10	Height 21,2 mm
Strain relief (acc. to EN 62444)	37 mm	For min. wall thickness 1,5 mm
No. of shield clamps	1	For max. wall thickness 2 mm
For max. no. of cables	1	thickness

PFKZ2-B|SKL 01



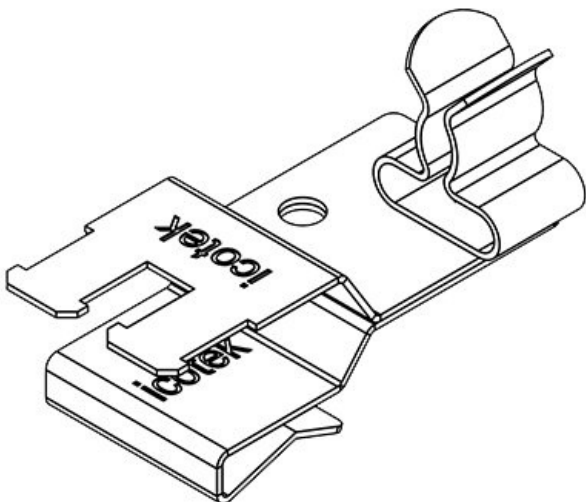
Part No.	36785.01	Min. shield diam. pos. 2	1,5 mm
EAN	4251269304071	Max. shield diam. pos. 2	3 mm
Package quantity	10	Width	18 mm
Length	37 mm	Height	20,9 mm
Strain relief (acc. to EN 62444)	1	For min. wall thickness	2 mm
No. of shield clamps	1	For max. wall thickness	3 mm
For max. no. of cables	1		

PFKZ2-A|SKL 02



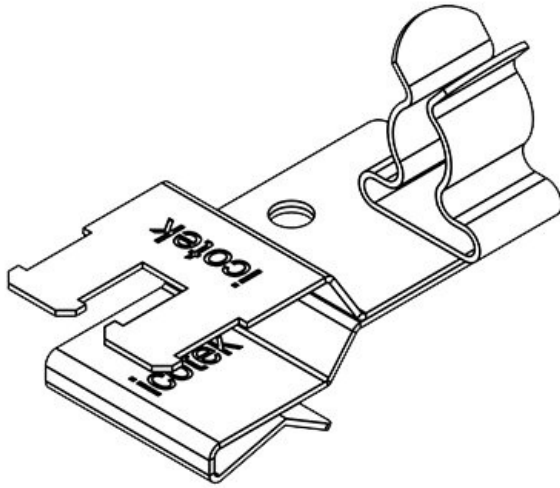
Part No.	36781.02	Min. shield diam. pos. 2	3 mm
EAN	4251269303548	Max. shield diam. pos. 2	6 mm
Package quantity	10	Width	18 mm
Length	37 mm	Height	22 mm
Strain relief (acc. to EN 62444)	1	For min. wall thickness	1,5 mm
No. of shield clamps	1	For max. wall thickness	2 mm
For max. no. of cables	1		

PFKZ2-B|SKL 02



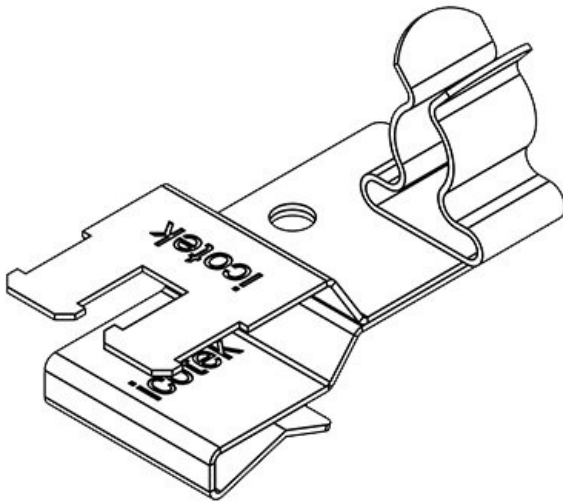
Part No.	36785.02	Min. shield diam. pos. 2	3 mm
EAN	4251269304088	Max. shield diam. pos. 2	6 mm
Package quantity	10	Width	18 mm
Length	37 mm	Height	21,6 mm
Strain relief (acc. to EN 62444)	1	For min. wall thickness	2 mm
No. of shield clamps	1	For max. wall thickness	3 mm
For max. no. of cables	1		

PFKZ2-A|SKL 03



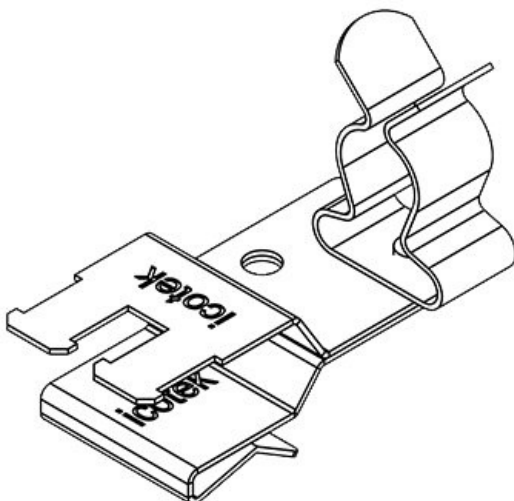
Part No.	36781.03	Min. shield	6 mm
EAN	4251269303	diam. pos. 2	
	555	Max. shield	8 mm
Package	10	diam. pos. 2	
quantity		Width	18 mm
Length	37 mm	Height	23,4 mm
Strain relief	1	For min. wall	1,5 mm
(acc. to EN		thickness	
62444)		For max. wall	2 mm
No. of shield	1	thickness	
clamps			
For max. no. of	1		
cables			

PFKZ2-B|SKL 03



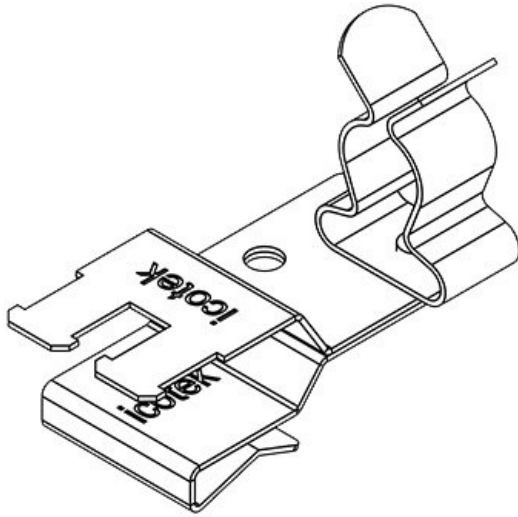
Part No.	36785.03	Min. shield	6 mm
EAN	4251269304	diam. pos. 2	
	095	Max. shield	8 mm
Package	10	diam. pos. 2	
quantity		Width	18 mm
Length	37 mm	Height	23 mm
Strain relief	1	For min. wall	2 mm
(acc. to EN		thickness	
62444)		For max. wall	3 mm
No. of shield	1	thickness	
clamps			
For max. no. of	1		
cables			

PFKZ2-A|SKL 04



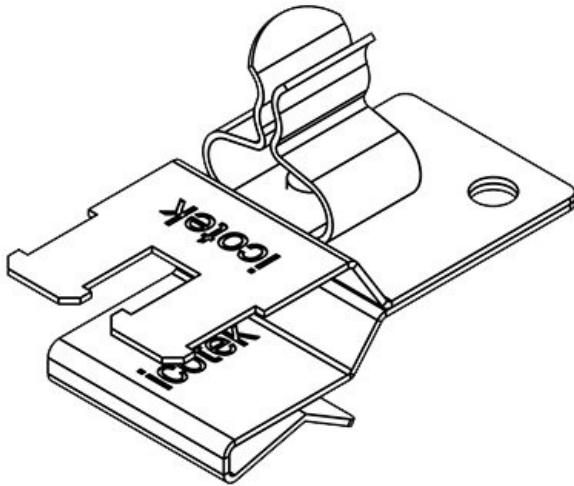
Part No.	36781.04	Min. shield	8 mm
EAN	4251269303	diam. pos. 2	
	562	Max. shield	11 mm
Package	10	diam. pos. 2	
quantity		Width	18 mm
Length	37 mm	Height	28,4 mm
Strain relief	1	For min. wall	1,5 mm
(acc. to EN		thickness	
62444)		For max. wall	2 mm
No. of shield	1	thickness	
clamps			
For max. no. of	1		
cables			

PFKZ2-B|SKL 04



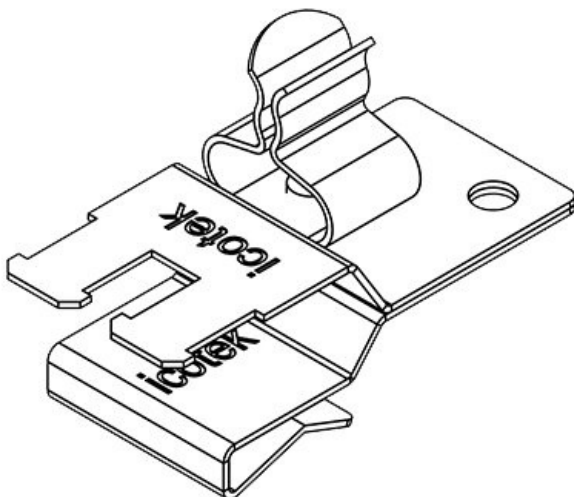
Part No.	36785.04	Min. shield diam. pos. 2	8 mm
EAN	4251269304	Max. shield diam. pos. 2	11 mm
Package quantity	10	Width	18 mm
Length	37 mm	Height	28 mm
Strain relief (acc. to EN 62444)	1	For min. wall thickness	2 mm
No. of shield clamps	1	For max. wall thickness	3 mm
For max. no. of 1 cables			

PFKZ2-A|SKL 10



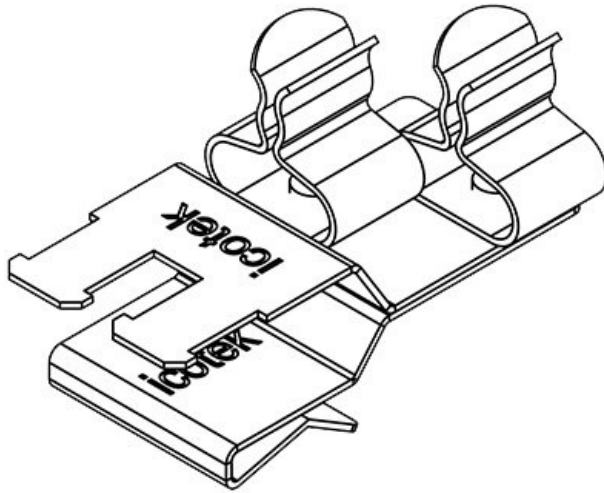
Part No.	36781.10	Min. shield diam. pos. 1	1,5 mm
EAN	4251269303	Max. shield diam. pos. 1	3 mm
Package quantity	10	Width	18 mm
Length	37 mm	Height	21,2 mm
Strain relief (acc. to EN 62444)	1	For min. wall thickness	1,5 mm
No. of shield clamps	1	For max. wall thickness	2 mm
For max. no. of 1 cables			

PFKZ2-B|SKL 10



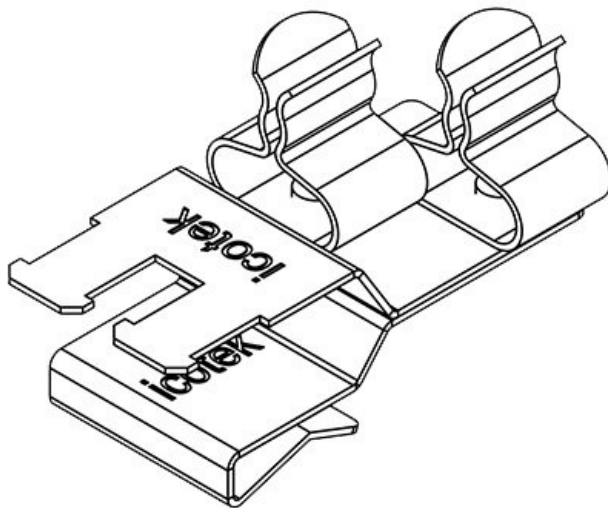
Part No.	36785.10	Min. shield diam. pos. 1	1,5 mm
EAN	4251269304	Max. shield diam. pos. 1	3 mm
Package quantity	10	Width	18 mm
Length	37 mm	Height	20,9 mm
Strain relief (acc. to EN 62444)	1	For min. wall thickness	2 mm
No. of shield clamps	1	For max. wall thickness	3 mm
For max. no. of 1 cables			

PFKZ2-A|SKL 11



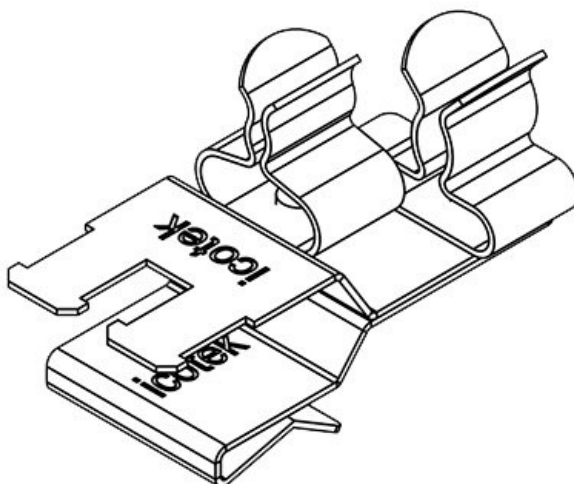
Part No.	36781.11	Min. shield diam. pos. 1	1,5 mm
EAN	4251269303	Max. shield diam. pos. 1	3 mm
Package quantity	10	Min. shield diam. pos. 2	1,5 mm
Length	37 mm	Max. shield diam. pos. 2	3 mm
Strain relief (acc. to EN 62444)	1	Width	20 mm
No. of shield clamps	2	Height	21,2 mm
For max. no. of cables	2	For min. wall thickness	1,5 mm
		For max. wall thickness	2 mm

PFKZ2-B|SKL 11



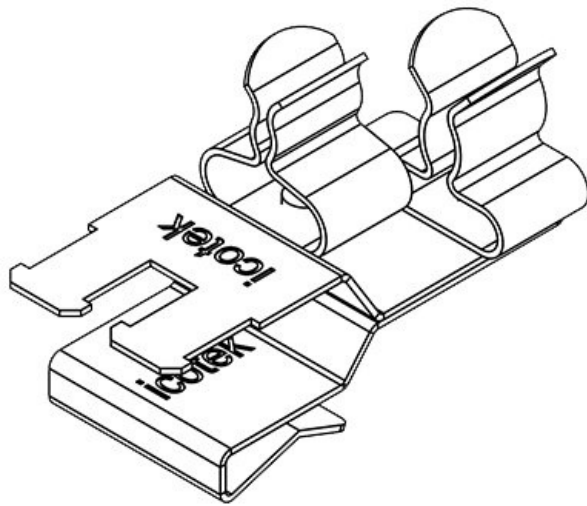
Part No.	36785.11	Min. shield diam. pos. 1	1,5 mm
EAN	4251269304	Max. shield diam. pos. 1	3 mm
Package quantity	10	Min. shield diam. pos. 2	1,5 mm
Length	37 mm	Max. shield diam. pos. 2	3 mm
Strain relief (acc. to EN 62444)	1	Width	20 mm
No. of shield clamps	2	Height	20,9 mm
For max. no. of cables	2	For min. wall thickness	2 mm
		For max. wall thickness	3 mm

PFKZ2-A|SKL 12



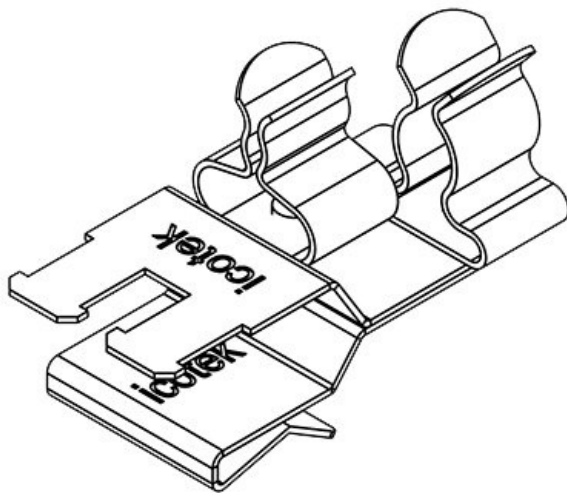
Part No.	36781.12	Min. shield diam. pos. 1	1,5 mm
EAN	4251269303	Max. shield diam. pos. 1	3 mm
Package quantity	10	Min. shield diam. pos. 2	3 mm
Length	37 mm	Max. shield diam. pos. 2	6 mm
Strain relief (acc. to EN 62444)	1	Width	20 mm
No. of shield clamps	2	Height	22 mm
For max. no. of cables	2	For min. wall thickness	1,5 mm
		For max. wall thickness	2 mm

PFKZ2-B|SKL 12



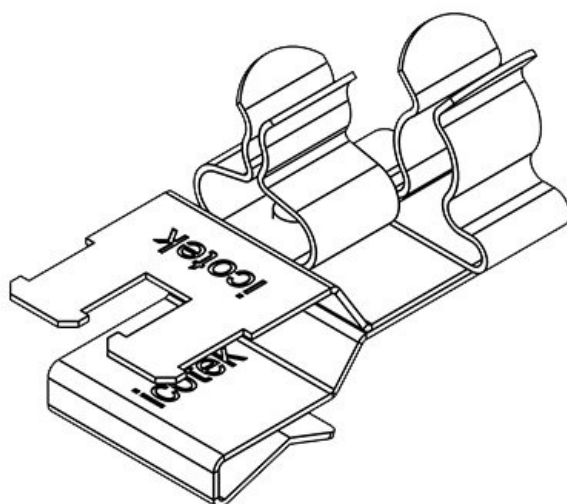
Part No.	36785.12	Min. shield diam. pos. 1	1,5 mm
EAN	4251269304	Max. shield diam. pos. 1	3 mm
	132	Min. shield diam. pos. 2	3 mm
Package quantity	10	Max. shield diam. pos. 2	6 mm
Length	37 mm	Width	20 mm
Strain relief (acc. to EN 62444)	1	Height	21,6 mm
No. of shield clamps	2	For min. wall thickness	2 mm
For max. no. of cables	2	For max. wall thickness	3 mm

PFKZ2-A|SKL 13



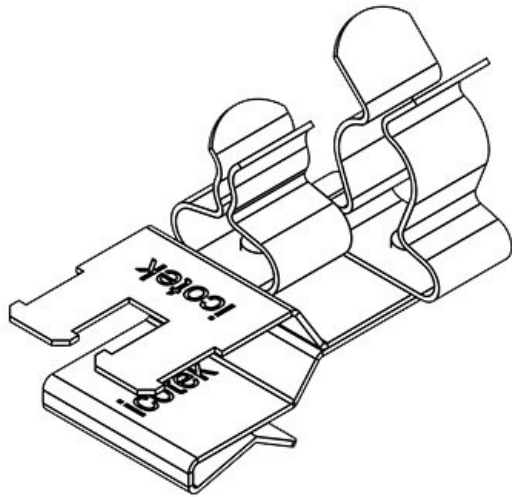
Part No.	36781.13	Min. shield diam. pos. 1	1,5 mm
EAN	4251269303	Max. shield diam. pos. 1	3 mm
	609	Min. shield diam. pos. 2	6 mm
Package quantity	10	Max. shield diam. pos. 2	8 mm
Length	37 mm	Width	20 mm
Strain relief (acc. to EN 62444)	1	Height	23,4 mm
No. of shield clamps	2	For min. wall thickness	1,5 mm
For max. no. of cables	2	For max. wall thickness	2 mm

PFKZ2-B|SKL 13



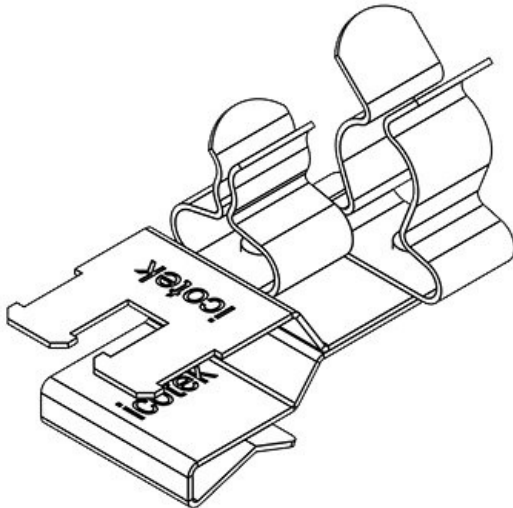
Part No.	36785.13	Min. shield diam. pos. 1	1,5 mm
EAN	4251269304	Max. shield diam. pos. 1	3 mm
	149	Min. shield diam. pos. 2	6 mm
Package quantity	10	Max. shield diam. pos. 2	8 mm
Length	37 mm	Width	20 mm
Strain relief (acc. to EN 62444)	1	Height	23 mm
No. of shield clamps	2	For min. wall thickness	2 mm
For max. no. of cables	2	For max. wall thickness	3 mm

PFKZ2-A|SKL 14



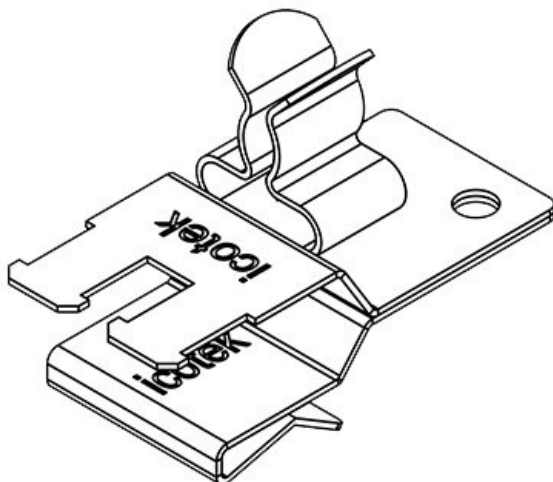
Part No.	36781.14	Min. shield diam. pos. 1	1,5 mm
EAN	4251269303	Max. shield diam. pos. 1	3 mm
	616	Min. shield diam. pos. 2	8 mm
Package quantity	10	Max. shield diam. pos. 2	11 mm
Length	37 mm	Width	20 mm
Strain relief (acc. to EN 62444)	1	Height	28,4 mm
No. of shield clamps	2	For min. wall thickness	1,5 mm
For max. no. of cables	2	For max. wall thickness	2 mm

PFKZ2-B|SKL 14



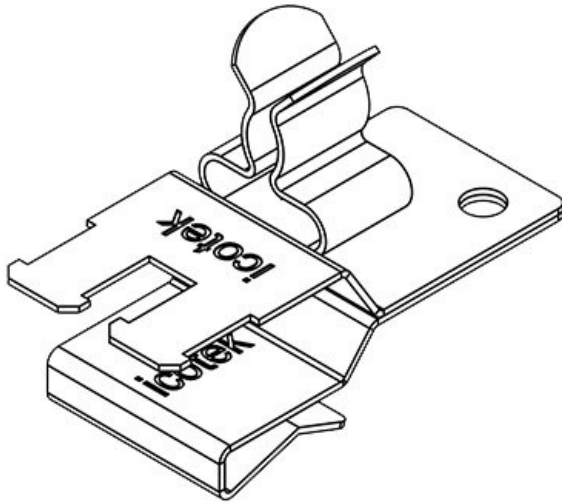
Part No.	36785.14	Min. shield diam. pos. 1	1,5 mm
EAN	4251269304	Max. shield diam. pos. 1	3 mm
	156	Min. shield diam. pos. 2	8 mm
Package quantity	10	Max. shield diam. pos. 2	11 mm
Length	37 mm	Width	20 mm
Strain relief (acc. to EN 62444)	1	Height	28 mm
No. of shield clamps	2	For min. wall thickness	2 mm
For max. no. of cables	2	For max. wall thickness	3 mm

PFKZ2-A|SKL 20



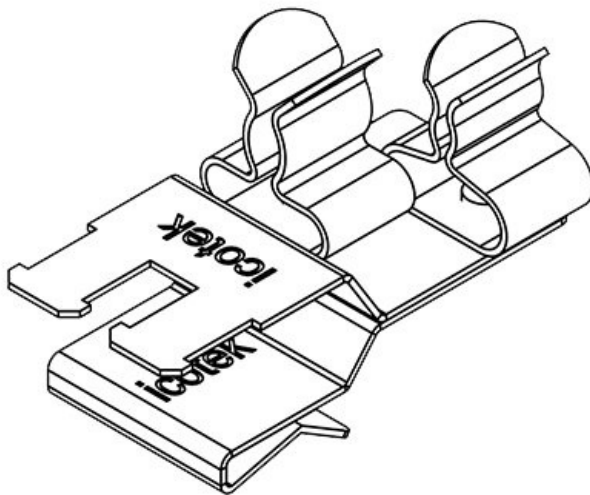
Part No.	36781.20	Min. shield diam. pos. 1	3 mm
EAN	4251269303	Max. shield diam. pos. 1	6 mm
	623	Width	18 mm
Package quantity	10	Height	22 mm
Length	37 mm	For min. wall thickness	1,5 mm
Strain relief (acc. to EN 62444)	1	For max. wall thickness	2 mm
No. of shield clamps	1		
For max. no. of cables	1		

PFKZ2-B|SKL 20



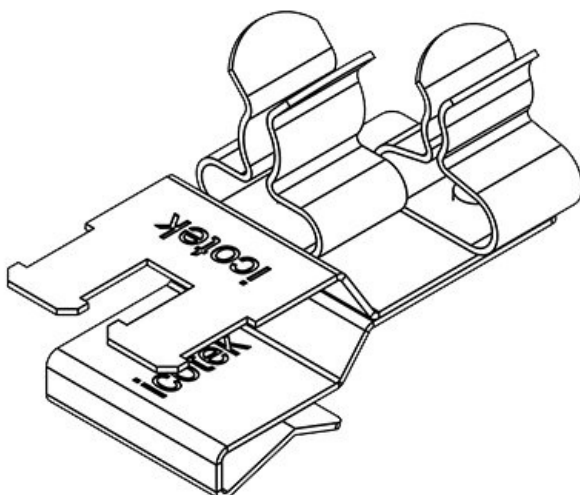
Part No.	36785.20	Min. shield diam. pos. 1	3 mm
EAN	4251269304	Max. shield diam. pos. 1	6 mm
Package quantity	10	Width	18 mm
Length	37 mm	Height	21,6 mm
Strain relief (acc. to EN 62444)	1	For min. wall thickness	2 mm
No. of shield clamps	1	For max. wall thickness	3 mm
For max. no. of cables			

PFKZ2-A|SKL 21



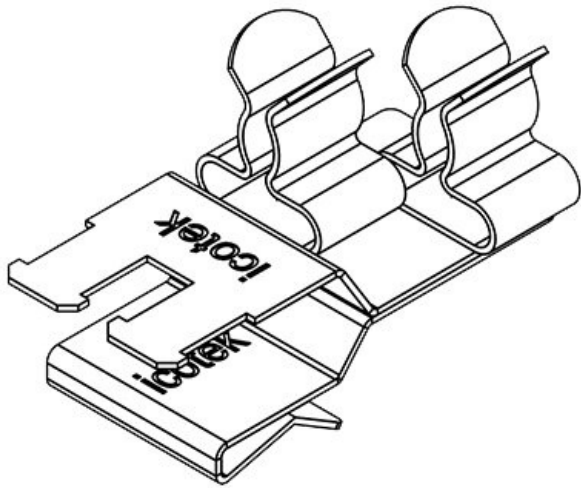
Part No.	36781.21	Min. shield diam. pos. 1	3 mm
EAN	4251269303	Max. shield diam. pos. 1	6 mm
Package quantity	10	Min. shield diam. pos. 2	1,5 mm
Length	37 mm	Max. shield diam. pos. 2	3 mm
Strain relief (acc. to EN 62444)	1	Width	20 mm
No. of shield clamps	2	Height	22 mm
For max. no. of cables		For min. wall thickness	1,5 mm
		For max. wall thickness	2 mm

PFKZ2-B|SKL 21



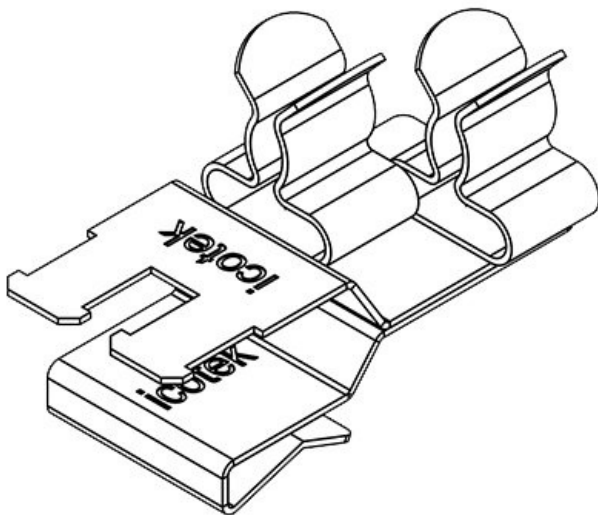
Part No.	36785.21	Min. shield diam. pos. 1	3 mm
EAN	4251269304	Max. shield diam. pos. 1	6 mm
Package quantity	10	Min. shield diam. pos. 2	1,5 mm
Length	37 mm	Max. shield diam. pos. 2	3 mm
Strain relief (acc. to EN 62444)	1	Width	20 mm
No. of shield clamps	2	Height	21,6 mm
For max. no. of cables		For min. wall thickness	2 mm
		For max. wall thickness	3 mm

PFKZ2-A|SKL 22



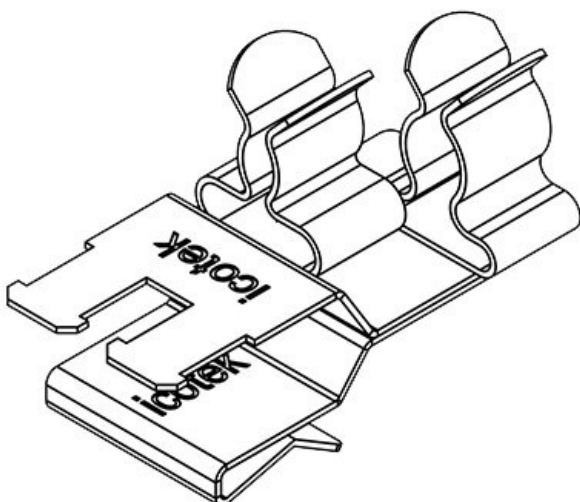
Part No.	36781.22	Min. shield diam. pos. 1	3 mm
EAN	4251269303	Max. shield diam. pos. 1	6 mm
	647	Min. shield diam. pos. 2	3 mm
Package quantity	10	Max. shield diam. pos. 2	6 mm
Length	37 mm	Width	20 mm
Strain relief (acc. to EN 62444)	1	Height	22 mm
No. of shield clamps	2	For min. wall thickness	1,5 mm
For max. no. of cables	2	For max. wall thickness	2 mm

PFKZ2-B|SKL 22



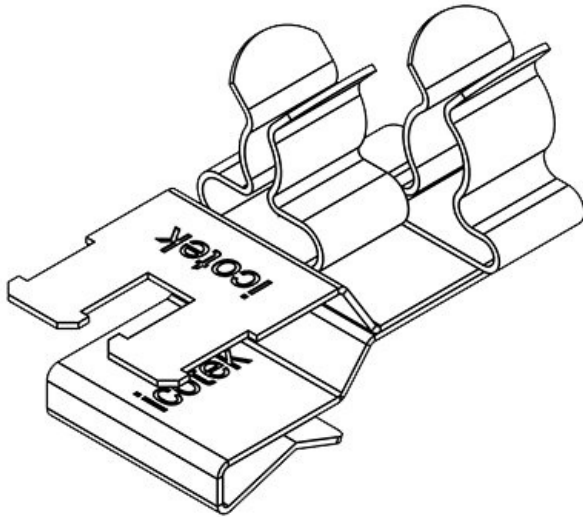
Part No.	36785.22	Min. shield diam. pos. 1	3 mm
EAN	4251269304	Max. shield diam. pos. 1	6 mm
	187	Min. shield diam. pos. 2	3 mm
Package quantity	10	Max. shield diam. pos. 2	6 mm
Length	37 mm	Width	20 mm
Strain relief (acc. to EN 62444)	1	Height	21,6 mm
No. of shield clamps	2	For min. wall thickness	2 mm
For max. no. of cables	2	For max. wall thickness	3 mm

PFKZ2-A|SKL 23



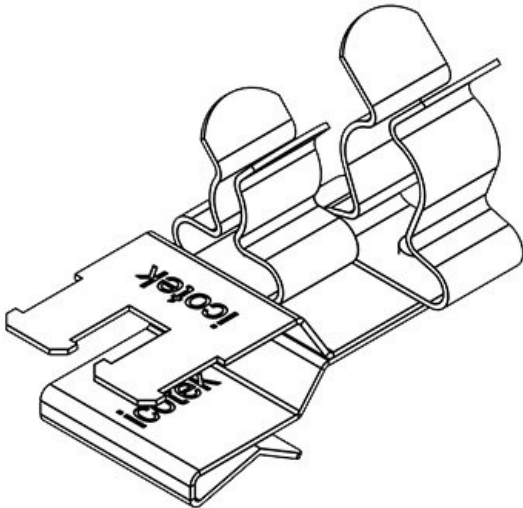
Part No.	36781.23	Min. shield diam. pos. 1	3 mm
EAN	4251269303	Max. shield diam. pos. 1	6 mm
	654	Min. shield diam. pos. 2	6 mm
Package quantity	10	Max. shield diam. pos. 2	8 mm
Length	37 mm	Width	20 mm
Strain relief (acc. to EN 62444)	1	Height	23,4 mm
No. of shield clamps	2	For min. wall thickness	1,5 mm
For max. no. of cables	2	For max. wall thickness	2 mm

PFKZ2-B|SKL 23



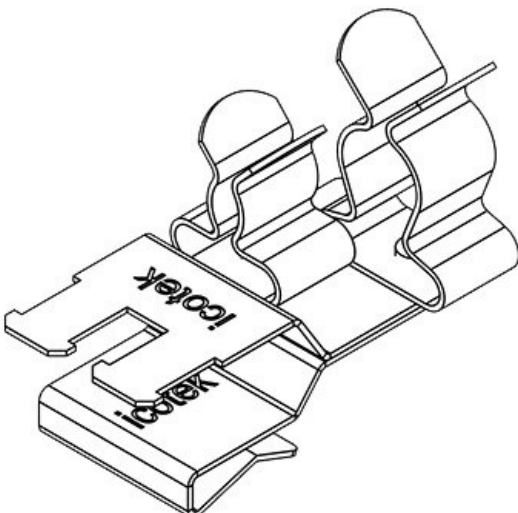
Part No.	36785.23	Min. shield diam. pos. 1	3 mm
EAN	4251269304	Max. shield diam. pos. 1	6 mm
Package quantity	10	Min. shield diam. pos. 2	6 mm
Length	37 mm	Max. shield diam. pos. 2	8 mm
Strain relief (acc. to EN 62444)	1	Width	20 mm
No. of shield clamps	2	Height	23 mm
For max. no. of cables	2	For min. wall thickness	2 mm
		For max. wall thickness	3 mm

PFKZ2-A|SKL 24



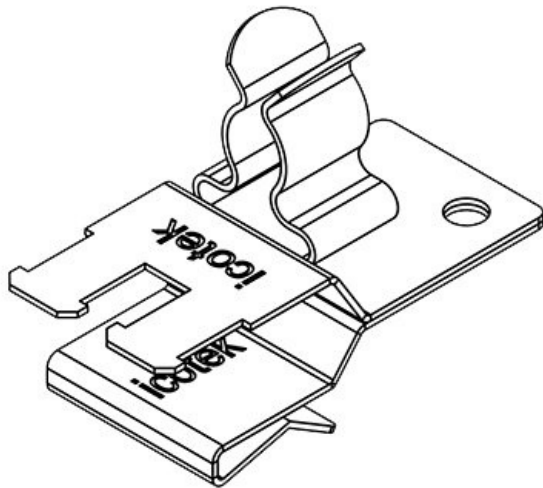
Part No.	36781.24	Min. shield diam. pos. 1	3 mm
EAN	4251269303	Max. shield diam. pos. 1	6 mm
Package quantity	10	Min. shield diam. pos. 2	8 mm
Length	37 mm	Max. shield diam. pos. 2	11 mm
Strain relief (acc. to EN 62444)	1	Width	20 mm
No. of shield clamps	2	Height	28,4 mm
For max. no. of cables	2	For min. wall thickness	1,5 mm
		For max. wall thickness	2 mm

PFKZ2-B|SKL 24



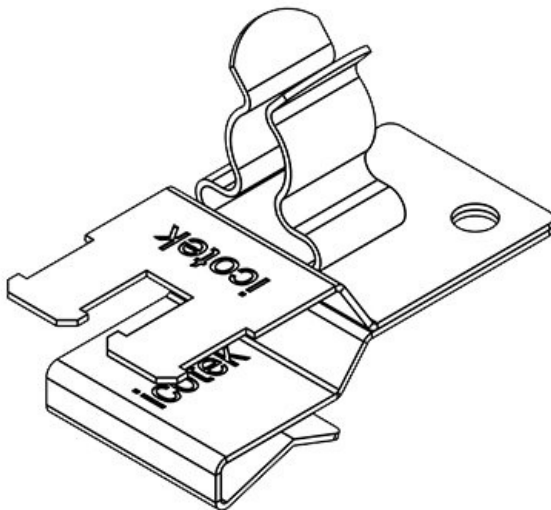
Part No.	36785.24	Min. shield diam. pos. 1	3 mm
EAN	4251269304	Max. shield diam. pos. 1	6 mm
Package quantity	10	Min. shield diam. pos. 2	8 mm
Length	37 mm	Max. shield diam. pos. 2	11 mm
Strain relief (acc. to EN 62444)	1	Width	20 mm
No. of shield clamps	2	Height	28 mm
For max. no. of cables	2	For min. wall thickness	2 mm
		For max. wall thickness	3 mm

PFKZ2-A|SKL 30



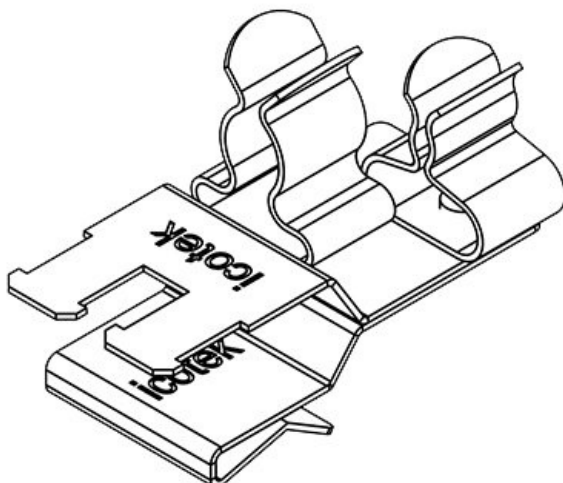
Part No.	36781.30	Min. shield diam. pos. 1	6 mm
EAN	4251269303678	Max. shield diam. pos. 1	8 mm
Package quantity	10	Width	18 mm
Length	37 mm	Height	23,4 mm
Strain relief (acc. to EN 62444)	1	For min. wall thickness	1,5 mm
No. of shield clamps	1	For max. wall thickness	2 mm
For max. no. of 1 cables			

PFKZ2-B|SKL 30



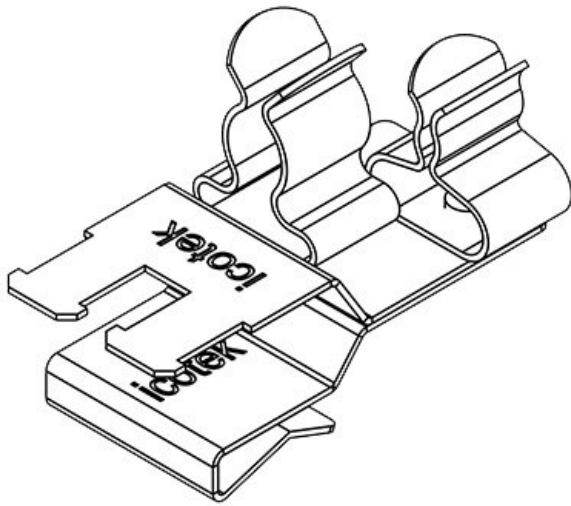
Part No.	36785.30	Min. shield diam. pos. 1	6 mm
EAN	4251269304217	Max. shield diam. pos. 1	8 mm
Package quantity	10	Width	18 mm
Length	37 mm	Height	23 mm
Strain relief (acc. to EN 62444)	1	For min. wall thickness	2 mm
No. of shield clamps	1	For max. wall thickness	3 mm
For max. no. of 1 cables			

PFKZ2-A|SKL 31



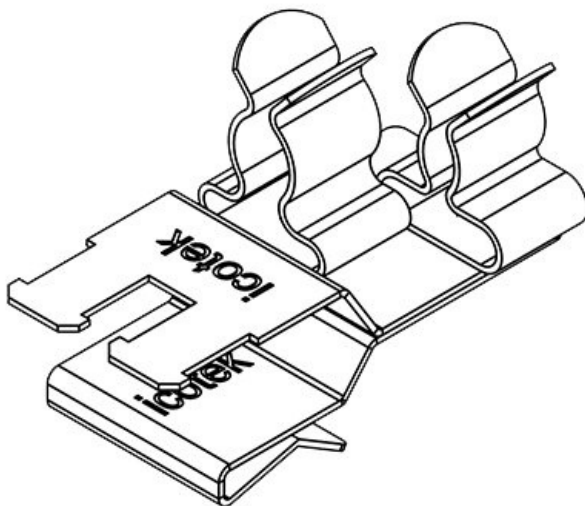
Part No.	36781.31	Min. shield diam. pos. 1	6 mm
EAN	4251269303685	Max. shield diam. pos. 1	8 mm
Package quantity	10	Min. shield diam. pos. 2	1,5 mm
Length	37 mm	Max. shield diam. pos. 2	3 mm
Strain relief (acc. to EN 62444)	1	Width	20 mm
No. of shield clamps	2	Height	23,4 mm
For max. no. of cables	2	For min. wall thickness	1,5 mm
		For max. wall thickness	2 mm

PFKZ2-B|SKL 31



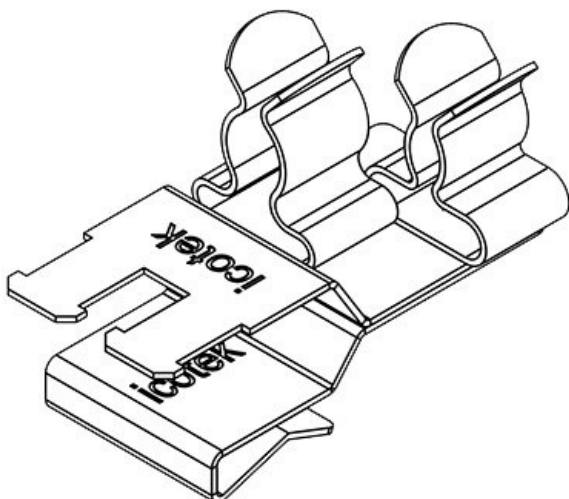
Part No.	36785.31	Min. shield diam. pos. 1	6 mm
EAN	4251269304	Max. shield diam. pos. 1	8 mm
Package quantity	10	Min. shield diam. pos. 2	1,5 mm
Length	37 mm	Max. shield diam. pos. 2	3 mm
Strain relief (acc. to EN 62444)	1	Width	20 mm
No. of shield clamps	2	Height	23 mm
For max. no. of cables	2	For min. wall thickness	2 mm
		For max. wall thickness	3 mm

PFKZ2-A|SKL 32



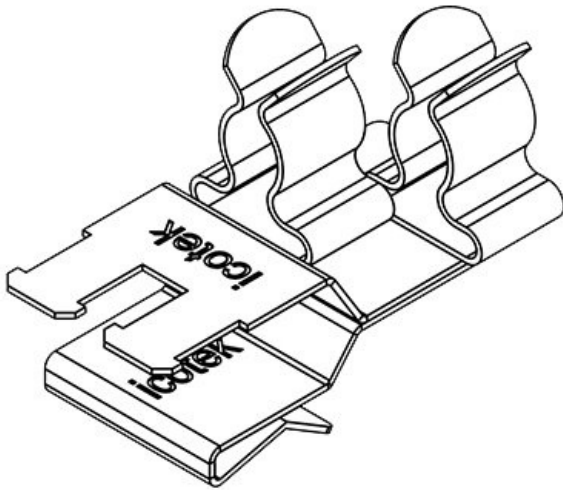
Part No.	36781.32	Min. shield diam. pos. 1	6 mm
EAN	4251269303	Max. shield diam. pos. 1	8 mm
Package quantity	10	Min. shield diam. pos. 2	3 mm
Length	37 mm	Max. shield diam. pos. 2	6 mm
Strain relief (acc. to EN 62444)	1	Width	20 mm
No. of shield clamps	2	Height	23,4 mm
For max. no. of cables	2	For min. wall thickness	1,5 mm
		For max. wall thickness	2 mm

PFKZ2-B|SKL 32



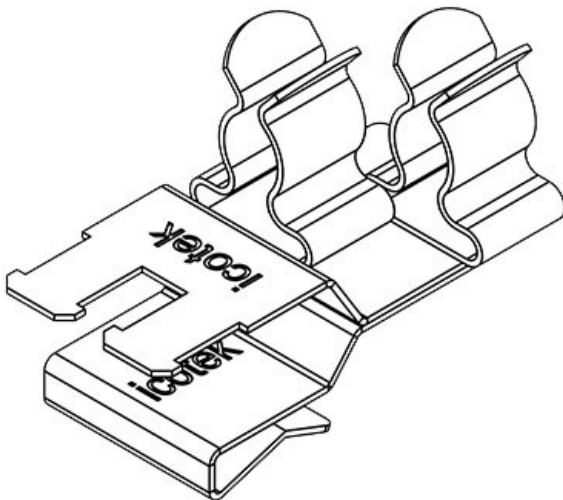
Part No.	36785.32	Min. shield diam. pos. 1	6 mm
EAN	4251269304	Max. shield diam. pos. 1	8 mm
Package quantity	10	Min. shield diam. pos. 2	3 mm
Length	37 mm	Max. shield diam. pos. 2	6 mm
Strain relief (acc. to EN 62444)	1	Width	20 mm
No. of shield clamps	2	Height	23 mm
For max. no. of cables	2	For min. wall thickness	2 mm
		For max. wall thickness	3 mm

PFKZ2-A|SKL 33



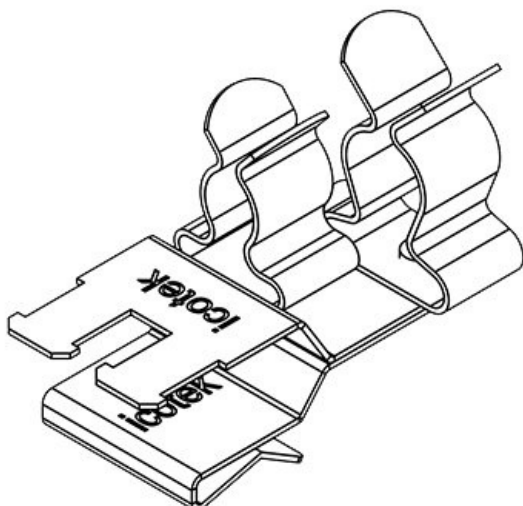
Part No.	36781.33	Min. shield diam. pos. 1	6 mm
EAN	4251269303	Max. shield diam. pos. 1	8 mm
Package quantity	10	Min. shield diam. pos. 2	6 mm
Length	37 mm	Max. shield diam. pos. 2	8 mm
Strain relief (acc. to EN 62444)	1	Width	20 mm
No. of shield clamps	2	Height	23,4 mm
For max. no. of cables	2	For min. wall thickness	1,5 mm
		For max. wall thickness	2 mm

PFKZ2-B|SKL 33



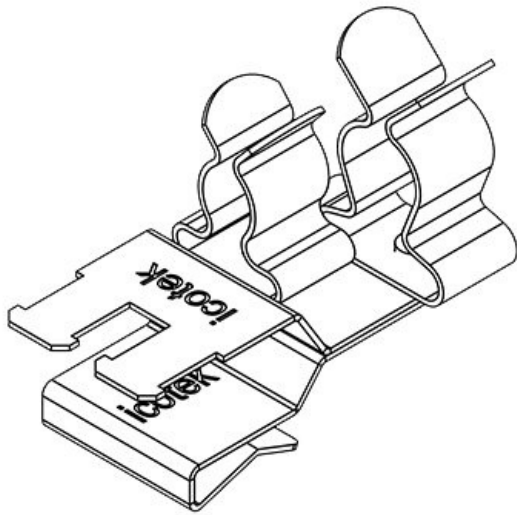
Part No.	36785.33	Min. shield diam. pos. 1	6 mm
EAN	4251269304	Max. shield diam. pos. 1	8 mm
Package quantity	10	Min. shield diam. pos. 2	6 mm
Length	37 mm	Max. shield diam. pos. 2	8 mm
Strain relief (acc. to EN 62444)	1	Width	20 mm
No. of shield clamps	2	Height	23 mm
For max. no. of cables	2	For min. wall thickness	2 mm
		For max. wall thickness	3 mm

PFKZ2-A|SKL 34



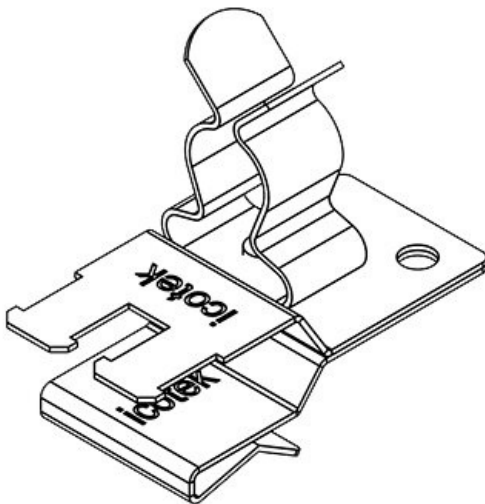
Part No.	36781.34	Min. shield diam. pos. 1	6 mm
EAN	4251269303	Max. shield diam. pos. 1	8 mm
Package quantity	10	Min. shield diam. pos. 2	8 mm
Length	37 mm	Max. shield diam. pos. 2	11 mm
Strain relief (acc. to EN 62444)	1	Width	20 mm
No. of shield clamps	2	Height	28,4 mm
For max. no. of cables	2	For min. wall thickness	1,5 mm
		For max. wall thickness	2 mm

PFKZ2-B|SKL 34



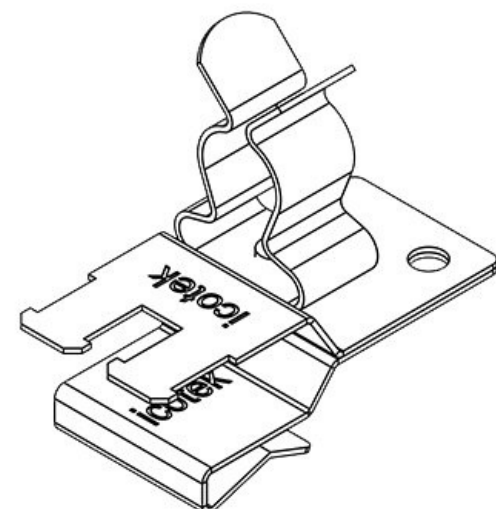
Part No.	36785.34	Min. shield diam. pos. 1	6 mm
EAN	4251269304	Max. shield diam. pos. 1	8 mm
Package quantity	10	Min. shield diam. pos. 2	8 mm
Length	37 mm	Max. shield diam. pos. 2	11 mm
Strain relief (acc. to EN 62444)	1	Width	20 mm
No. of shield clamps	2	Height	28 mm
For max. no. of cables	2	For min. wall thickness	2 mm
		For max. wall thickness	3 mm

PFKZ2-A|SKL 40



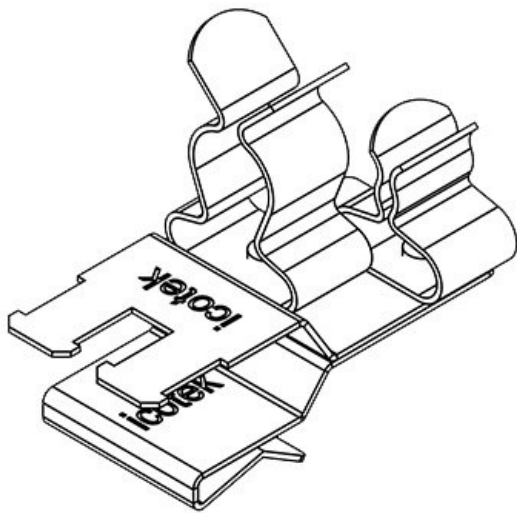
Part No.	36781.40	Min. shield diam. pos. 1	8 mm
EAN	4251269303	Max. shield diam. pos. 1	11 mm
Package quantity	10	Width	18 mm
Length	37 mm	Height	28,4 mm
Strain relief (acc. to EN 62444)	1	For min. wall thickness	1,5 mm
No. of shield clamps	1	For max. wall thickness	2 mm
For max. no. of cables	1		

PFKZ2-B|SKL 40



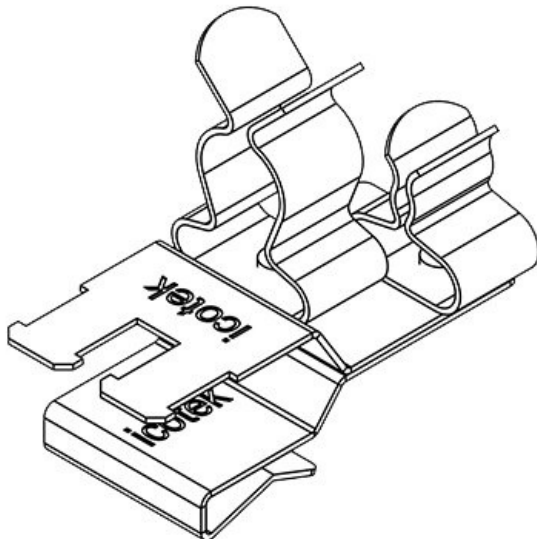
Part No.	36785.40	Min. shield diam. pos. 1	8 mm
EAN	4251269304	Max. shield diam. pos. 1	11 mm
Package quantity	10	Width	18 mm
Length	37 mm	Height	28 mm
Strain relief (acc. to EN 62444)	1	For min. wall thickness	2 mm
No. of shield clamps	1	For max. wall thickness	3 mm
For max. no. of cables	1		

PFKZ2-A|SKL 41



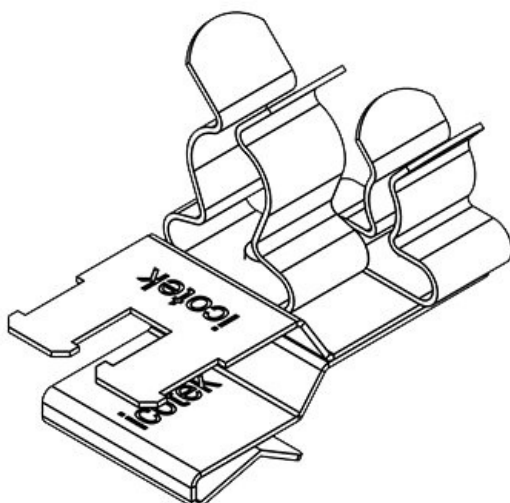
Part No.	36781.41	Min. shield diam. pos. 1	8 mm
EAN	4251269303739	Max. shield diam. pos. 1	11 mm
Package quantity	10	Min. shield diam. pos. 2	1,5 mm
Length	37 mm	Max. shield diam. pos. 2	3 mm
Strain relief (acc. to EN 62444)	1	Width	20 mm
No. of shield clamps	2	Height	28,4 mm
For max. no. of cables	2	For min. wall thickness	1,5 mm
		For max. wall thickness	2 mm

PFKZ2-B|SKL 41



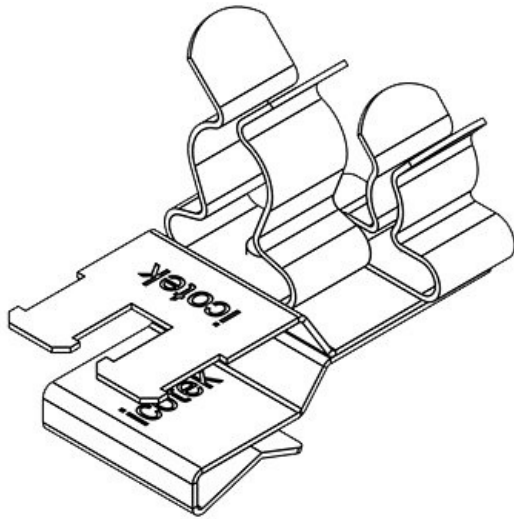
Part No.	36785.41	Min. shield diam. pos. 1	8 mm
EAN	4251269304279	Max. shield diam. pos. 1	11 mm
Package quantity	10	Min. shield diam. pos. 2	1,5 mm
Length	37 mm	Max. shield diam. pos. 2	3 mm
Strain relief (acc. to EN 62444)	1	Width	20 mm
No. of shield clamps	2	Height	28 mm
For max. no. of cables	2	For min. wall thickness	2 mm
		For max. wall thickness	3 mm

PFKZ2-A|SKL 42



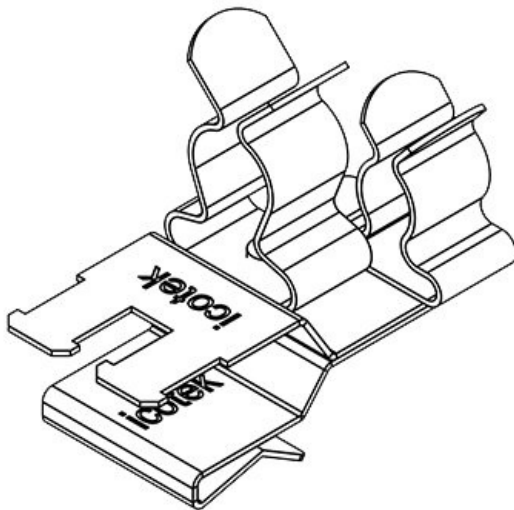
Part No.	36781.42	Min. shield diam. pos. 1	8 mm
EAN	4251269303746	Max. shield diam. pos. 1	11 mm
Package quantity	10	Min. shield diam. pos. 2	3 mm
Length	37 mm	Max. shield diam. pos. 2	6 mm
Strain relief (acc. to EN 62444)	1	Width	20 mm
No. of shield clamps	2	Height	28,4 mm
For max. no. of cables	2	For min. wall thickness	1,5 mm
		For max. wall thickness	2 mm

PFKZ2-B|SKL 42



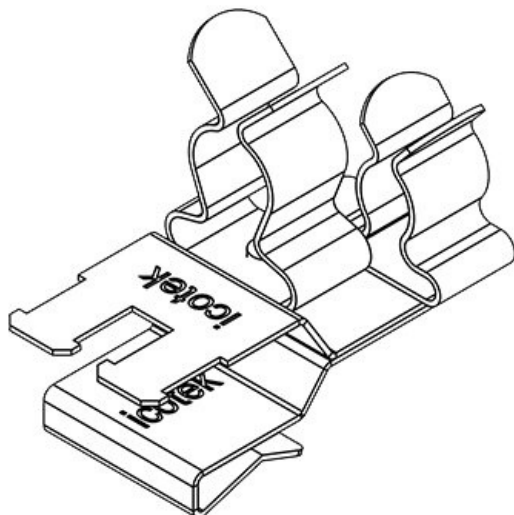
Part No.	36785.42	Min. shield diam. pos. 1	8 mm
EAN	4251269304	Max. shield diam. pos. 1	11 mm
Package quantity	10	Min. shield diam. pos. 2	3 mm
Length	37 mm	Max. shield diam. pos. 2	6 mm
Strain relief (acc. to EN 62444)	1	Width	20 mm
No. of shield clamps	2	Height	28 mm
For max. no. of cables	2	For min. wall thickness	2 mm
		For max. wall thickness	3 mm

PFKZ2-A|SKL 43



Part No.	36781.43	Min. shield diam. pos. 1	8 mm
EAN	4251269303	Max. shield diam. pos. 1	11 mm
Package quantity	10	Min. shield diam. pos. 2	6 mm
Length	37 mm	Max. shield diam. pos. 2	8 mm
Strain relief (acc. to EN 62444)	1	Width	20 mm
No. of shield clamps	2	Height	28,4 mm
For max. no. of cables	2	For min. wall thickness	1,5 mm
		For max. wall thickness	2 mm

PFKZ2-B|SKL 43



Part No.	36785.43	Min. shield diam. pos. 1	8 mm
EAN	4251269304	Max. shield diam. pos. 1	11 mm
Package quantity	10	Min. shield diam. pos. 2	6 mm
Length	37 mm	Max. shield diam. pos. 2	8 mm
Strain relief (acc. to EN 62444)	1	Width	20 mm
No. of shield clamps	2	Height	28 mm
For max. no. of cables	2	For min. wall thickness	2 mm
		For max. wall thickness	3 mm

